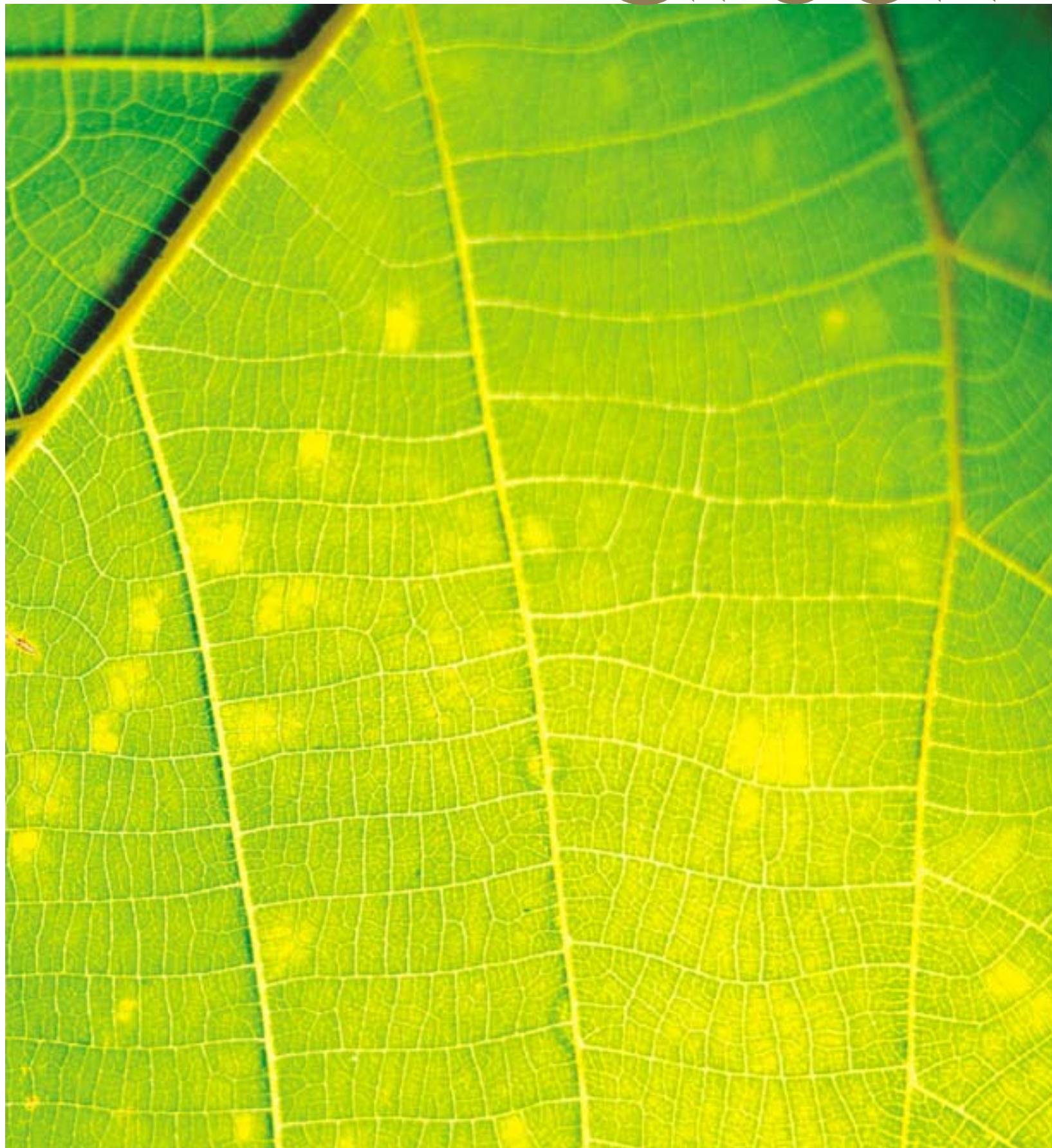


Green



What is Green?

GREEN is a Renewal of our Pledge to Mother Nature....

Bajaj's newest offering is based on LEDs... Light Emitting Diodes... a Revolutionary new disruptive technology. It is another step forward in our continuous quest for alternatives to conventional sources of energy,

LED's non destructive process enables positive and negative charge carriers to recombine with applied voltage; as a result, Energy is released in the form of light!

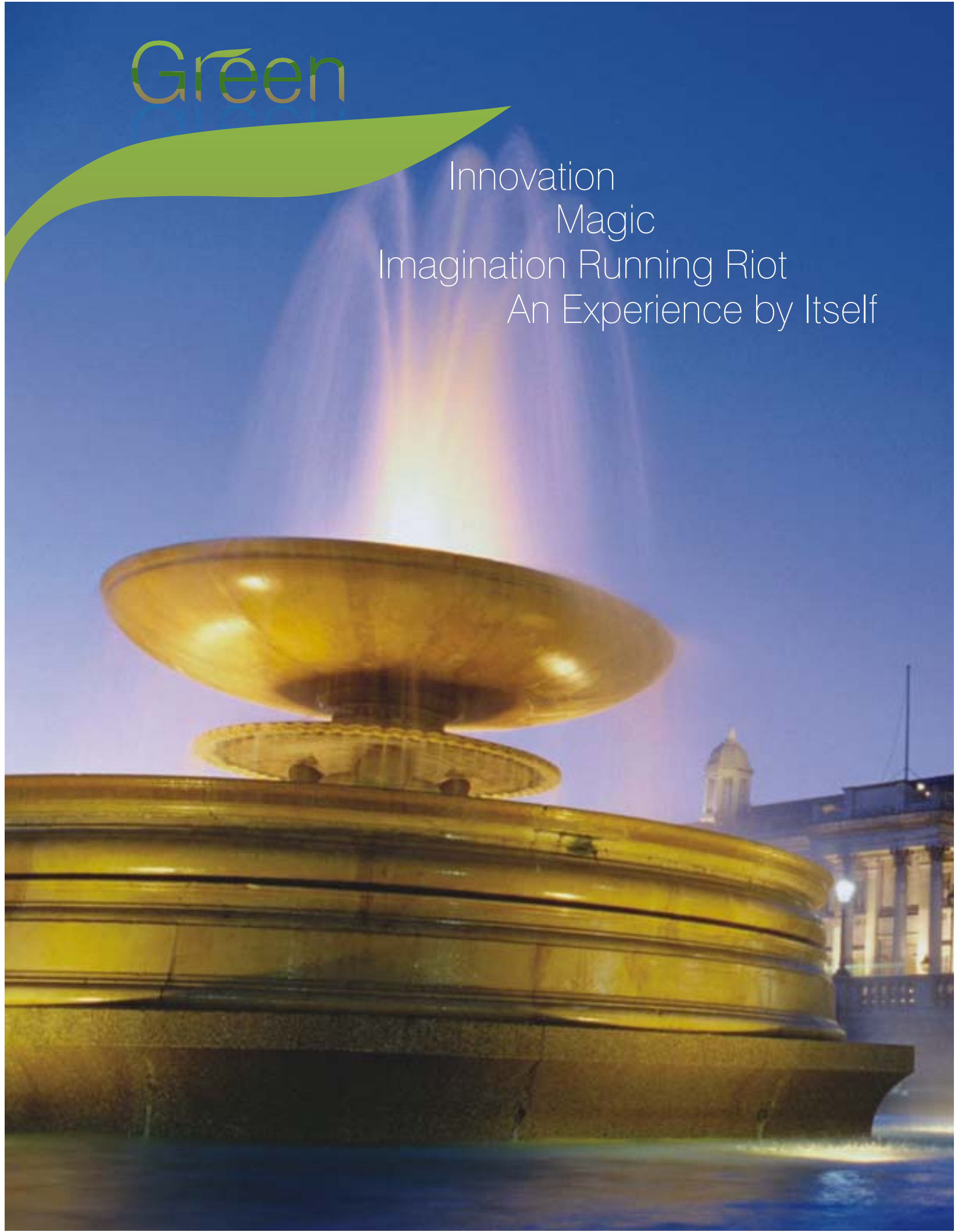
With a lifespan 50 times longer than that of the average lamp, GREEN is a special range of application oriented LED products based on Optics, Power and Thermal Management. 100% environment friendly, they have zero harmful emission and a guarantee of 80% lumen maintenance even at the end of 20,000 hours of operation!

Crafted with care, committed to the cause of a cleaner, greener Earth.... GREEN embodies our concern for conservation of Nature's precious resources.... an engagement best reflected in our unstinted support of Paryavaran Mitra, an exemplary, environment oriented initiative.

These world-class, intelligent LEDs have multiple applications and are suitable for both indoor and outdoor use. A blend of ingenuity and iridescence, they not only incorporate optics and colours, but also include programmable sequences.

Green

Innovation
Magic
Imagination Running Riot
An Experience by Itself



The range is as varied as it is versatile: Indoor architectural spot lights; recessed wall mounted steplights; inground walkover spots; floodlights, underwater luminaires! Rest assured all your needs are anticipated... and addressed!

All this... and more! GREEN LEDs mesmerize you with their spectacular array of colours. Vivid and vibrant they transform the mundane into the magical! Be it façade lighting or landscape lighting....watch LEDs sculpt exotic effects through the interplay of light and shade: colour and light combine creatively to transform everyday reality into dreams!

GREEN LEDs are unlike any lighting system you have ever seen...or used! They fuel your Fantasies even as their energy efficient, eco-friendly technology cuts down emission.



Go **Green**

Why not better the Earth as you beautify it?

LED SPOT LIGHT



BG SL 01 01 NB/WB R/G/B/WW/WH



BG SL 03 01 NB/WB R/G/B/WW/WH

Application

- Retail Showrooms
- Show Windows
- Gallery, Museum
- Architectural Lighting in Modern Offices
- Shopping Malls

Specifications

- ⚙ Recess mounted 1W/3x1W LED spotlight luminaire
- ⚙ Metal housing with eye-ball swivel arrangement
- ⚙ Narrow beam / wide beam option of secondary optics
- ⚙ Available in Red, Green, Blue, Warm White & White LED colours
- ⚙ Requires a separate driver
 - BMPL 1 can drive one no. BG SL 01 01 luminaire at a maximum distance upto 2 mtrs.
 - BMPL 3 can drive one no. BG SL 03 01 luminaire at a maximum distance upto 2 mtrs.
 - BDP 110 can drive a maximum 9/3 nos. BG SL 01/03 01 luminaires at a maximum distance upto 3 mtrs.
 - BPB 30 can drive a maximum 29/8 nos. BG SL 01/03 01 luminaires at a maximum distance upto 10 mtrs.

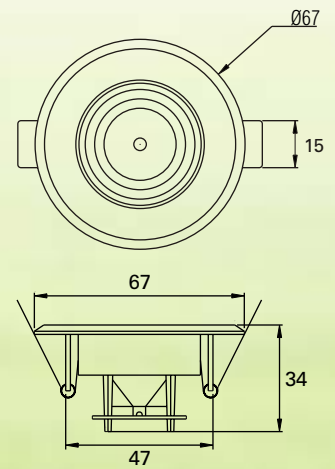
Product Data

Product Code	Catalogue Reference	No. of LEDs	LED Colour & Wattage
220109	BG SL 01 01 NB R WOD	1	Red-1W
220110	BG SL 01 01 NB G WOD	1	Green-1W
220111	BG SL 01 01 NB B WOD	1	Blue-1W
220112	BG SL 01 01 NB WW WOD	1	Warm White-1W
220113	BG SL 01 01 NB WH WOD	1	White-1W
220114	BG SL 01 01 WB R WOD	1	Red-1W
220115	BG SL 01 01 WB G WOD	1	Green-1W
220116	BG SL 01 01 WB B WOD	1	Blue-1W
220117	BG SL 01 01 WB WW WOD	1	Warm White-1W
220118	BG SL 01 01 WB WH WOD	1	White-1W
220119	BG SL 03 01 NB R WOD	3	Red-3x1W
220120	BG SL 03 01 NB G WOD	3	Green-3x1W
220121	BG SL 03 01 NB B WOD	3	Blue-3x1W
220122	BG SL 03 01 NB WW WOD	3	Warm White-3x1W
220123	BG SL 03 01 NB WH WOD	3	White-3x1W
220124	BG SL 03 01 WB R WOD	3	Red-3x1W
220125	BG SL 03 01 WB G WOD	3	Green-3x1W
220126	BG SL 03 01 WB B WOD	3	Blue-3x1W
220127	BG SL 03 01 WB WW WOD	3	Warm White-3x1W
220128	BG SL 03 01 WB WH WOD	3	White-3x1W

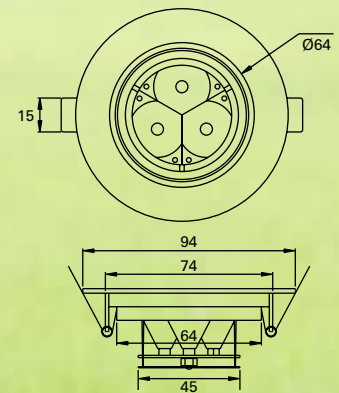
Note: In cat. ref. NB indicates Narrow Beam Luminaires; WB indicates Wide Beam Luminaires; WOD indicates Luminaire without Driver.

BMPL 1/BMPL 3/BDP 110/BPB 30 drivers to be ordered separately.

Line Diagram



BG SL 01 01 NB/WB R/B/WW/WH/G



BG SL 03 01 NB/WB R/G/B/WW/WH

Green

LED SPOT LIGHT



BG SL 03 01 NB/WB RGB



BG SL 05 03 NB/WB RGB

Application

- Retail Showrooms
- Show Windows
- Gallery, Museum
- Architectural Lighting in Modern Offices
- Shopping Malls

Specifications

- ⚙ Recess mounted 3x1W/5x3W RGB LED spotlight luminaire
- ⚙ Cast aluminium housing with eye-ball swivel arrangement
- ⚙ Narrow beam / wide beam option of secondary optics
- ⚙ RGB Luminaire - with appropriate control systems, colour changing option is Available
- ⚙ Requires a separate driver
 - BRGB 30 can drive maximum 8 nos. BG SL 03 01 RGB luminaires at a maximum distance upto 10 mtrs.
 - BRGB 30 can drive one no. BG SL 05 03 RGB luminaires at a maximum distance upto 10 mtrs.
- ⚙ Optional control using hand held remote (only with BGRB 30)
 - BIR2T & BIR2R control units to be ordered separately

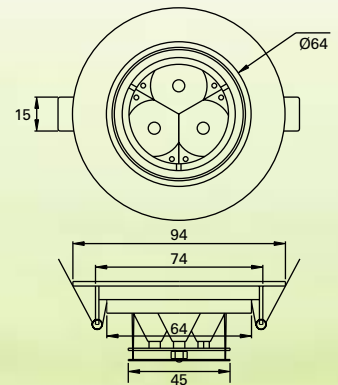
Product Data

Product Code	Catalogue Reference	No. of LEDs	LED Colour & Wattage
220129	BG SL 03 01 NB RGB WOD	3	RGB-3x1W
220130	BG SL 03 01 WB RGB WOD	3	RGB-3x1W
220151	BG SL 05 03 NB RGB WOD	5	RGB-5x3W
220152	BG SL 05 03 WB RGB WOD	5	RGB-5x3W

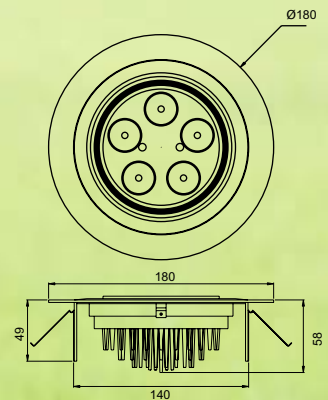
Note: In cat. ref. NB indicates Narrow Beam Luminaires; WB indicates Wide Beam Luminaires; WOD indicates Luminaire without Driver.

BRGB 30 driver to be ordered separately.

Line Diagram



BG SL 03 01 NB/WB RGB



BG SL 05 03 NB/WB RGB



Green

LED SPOT LIGHT



BG SL 07 01 NB/WB R/G/B/WW/WH
BG SL 07 03 NB/WB R/G/B/WW/WH

Application

- Retail Showrooms
- Gallery, Museum
- Shopping Malls
- Show Windows
- Architectural Lighting in Modern Offices

Specifications

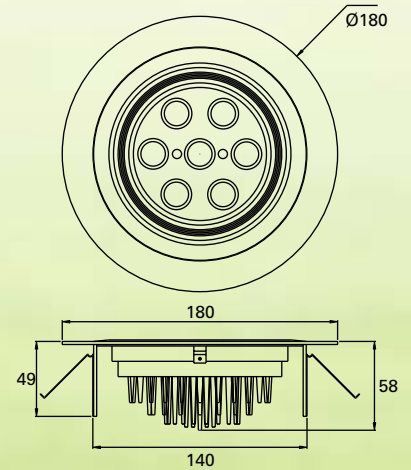
- ⚙ Recess mounted 7x1W/7x3W LED spotlight luminaire
- ⚙ Cast aluminium housing with eye-ball swivel arrangement
- ⚙ Narrow beam / wide beam option of secondary optics
- ⚙ Available in Red, Green, Blue, Warm White & White LED colours
- ⚙ Separate driver supplied along with the luminaire

Product Data

Product Code	Catalogue Reference	No. of LEDs	LED Colour & Wattage
220131	BG SL 07 01 NB R	7	Red-7x1W
220132	BG SL 07 01 NB G	7	Green-7x1W
220133	BG SL 07 01 NB B	7	Blue-7x1W
220134	BG SL 07 01 NB WW	7	Warm White-7x1W
220135	BG SL 07 01 NB WH	7	White-7x1W
220136	BG SL 07 01 WB R	7	Red-7x1W
220137	BG SL 07 01 WB G	7	Green-7x1W
220138	BG SL 07 01 WB B	7	Blue-7x1W
220139	BG SL 07 01 WB WW	7	Warm White-7x1W
220140	BG SL 07 01 WB WH	7	White-7x1W
220141	BG SL 07 03 NB R	7	Red-7x3W
220142	BG SL 07 03 NB G	7	Green-7x3W
220143	BG SL 07 03 NB B	7	Blue-7x3W
220144	BG SL 07 03 NB WW	7	Warm White-7x3W
220145	BG SL 07 03 NB WH	7	White-7x3W
220146	BG SL 07 03 WB R	7	Red-7x3W
220147	BG SL 07 03 WB G	7	Green-7x3W
220148	BG SL 07 03 WB B	7	Blue-7x3W
220149	BG SL 07 03 WB WW	7	Warm White-7x3W
220150	BG SL 07 03 WB WH	7	White-7x3W

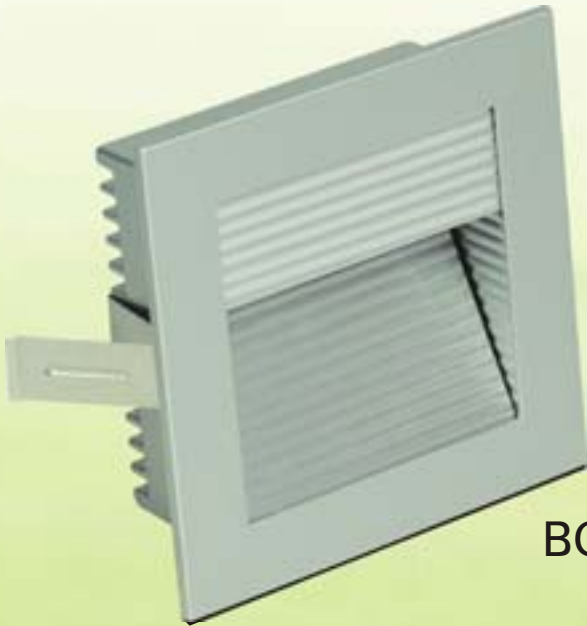
Note: In cat. ref. NB indicates Narrow Beam Luminaires; WB indicates Wide Beam Luminaires

Line Diagram



BG SL 07 01 NB/WB R/G/B/WW/WH
BG SL 07 03 NB/WB R/G/B/WW/WH

LED STEP LIGHT



BG ST 01 01 R/G/B/WW/WH

Application

- Corridors
- Indoor Walkways
- Pathway Guidance Lights
- Multiplexes
- Architectural lighting in Modern Offices

Specifications

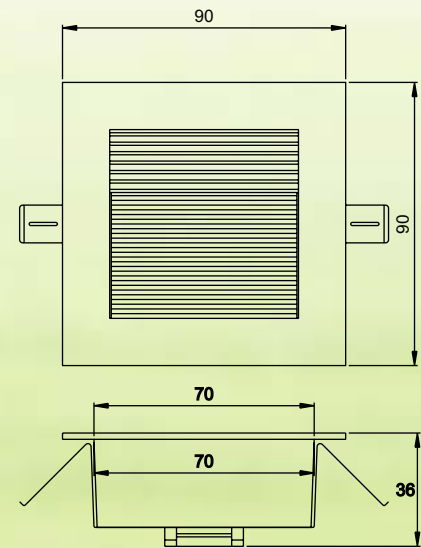
- ⚙ Recess wall mounted 1W LED step light luminaire
- ⚙ Pressure die cast aluminium housing with asymmetric serrated reflector
- ⚙ Available in Red, Green, Blue, Warm White & White LED colours
- ⚙ Requires a separate following driver for operating 1W LED step light luminaires
 - BMPL 1 can drive one no. BG ST 01 01 luminaire at a maximum distance upto 2 mtrs.
 - BDP 110 can drive a maximum 9 nos. BG ST 01 01 luminaires at a maximum distance upto 3 mtrs.
 - BPB 30 can drive a maximum 29 nos. BG ST 01 01 luminaires at a maximum distance upto 10 mtrs.

Product Data

Product Code	Catalogue Reference	No. of LEDs	LED Colour & Wattage
220153	BG ST 01 01 R WOD	1	Red-1W
220154	BG ST 01 01 G WOD	1	Green-1W
220155	BG ST 01 01 B WOD	1	Blue-1W
220156	BG ST 01 01 WW WOD	1	Warm White-1W
220157	BG ST 01 01 WH WOD	1	White-1W

Note: WOD indicates Luminaire without Driver.
BMPL 1/BDP 110/BPB 30 drivers to be ordered separately.

Line Diagram



BG ST 01 01 R/G/B/WW/WH



Green

LED FLEXI LIGHT



BG FL 360 R/G/B/WW/WH
BG FL 180 RGB

Application

- Cove Lighting
- Sign Boards Lighting
- Landscape Lighting

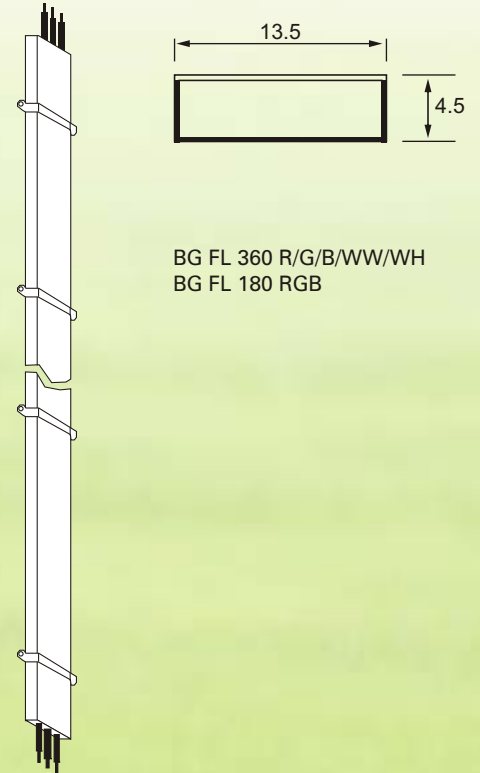
Specifications

- ✎ Flexible LED strip in transparent silicon enclosure
- ✎ Plastic fixing clips
- ✎ End of strip is soldered with flying leads for power supply
- ✎ Available in Red, Green, Blue, Warm White and White LED colour and in RGB
- ✎ Cuttable every three LEDs, but should be cap sealed with silicon gels after cutting
- ✎ BGFL360 R/G/B/WW/WH is available in 6 metre lengths only
- ✎ BGFL180RGB is available in 3m lengths only
- ✎ BGFL360 R/G/B/WW/WH is supplied with separate power supply unit
- ✎ BGFL180RGB is supplied with separate power supply unit & RGB control unit
- ✎ Amplifier is required after every 15 mtrs. of flexible strips
- ✎ Ingress Protection: IP 65

Product Data

Product Code	Catalogue Reference	No. of LEDs	LED Colour & Wattage
220176	BG FL 360 R	360 LEDs per reel	Red-0.096W per LED
220177	BG FL 360 G	360 LEDs per reel	Green-0.096W per LED
220178	BG FL 360 B	360 LEDs per reel	Blue-0.096W per LED
220179	BG FL 360 WW	360 LEDs per reel	Warm White-0.096W per LED
220180	BG FL 360 WH	360 LEDs per reel	White-0.096W per LED
220181	BG FL 180 RGB	180 LEDs per reel	RGB-0.224W per LED

Line Diagram



Green facts

Global Warming

The growing scientific consensus is that the effects of climate change and global warming is largely the result of emissions of carbon dioxide and other greenhouse gases from human activities including industrial processes, fossil fuel combustion, and changes in land use, such as deforestation. The world is undoubtedly warming as the science of climate change and global warming will provide evidence for. To protect ourselves, our economy, and our land from the adverse effects of climate change, we must ultimately reduce emissions of carbon dioxide and other greenhouse gases. To achieve this goal we must consider cost effective ways of reducing or avoiding the production of GHG emissions.



Carbon credits

Carbon credits are a key component of national and international emissions trading schemes. They provide a way to reduce greenhouse effect emissions on an industrial scale by capping total annual emissions and letting the market assign a monetary value to any shortfall through trading. Credits can be exchanged between businesses or bought and sold in international markets at the prevailing market price. Credits can be used to finance carbon reduction schemes between trading partners and around the world.

There are also many companies that sell carbon credits to commercial and individual customers who are interested in lowering their carbon footprint on a voluntary basis. These carbon offsetters purchase the credits from an investment fund or a carbon development company that has aggregated the credits from individual projects. The quality of the credits is based in part on the validation process and sophistication of the fund or development company that acted as the sponsor to the carbon project



LED WALKOVER LIGHT



BG WC 01 01 NB/WB R/G/B/WW/WH



BG WC 03 01 NB/WB R/G/B/WW/WH

Application

- Walk Ways
- Facade Lighting
- Parks, Gardens Lighting
- Monument Lighting
- Pedestrian Lighting

Specifications

- ⚙ Floor embedded 1W/3x1W LED walkover luminaire
- ⚙ Cast aluminium housing with stainless steel top ring
- ⚙ Narrow beam / wide beam option of secondary optics
- ⚙ Available in Red, Green, Blue, Warm White & White LED colours
- ⚙ Plastic enclosure is provided for easy installation
- ⚙ Requires a separate driver
 - BMPL 1 can drive one no. BG WC 01 01 luminaire at a maximum distance upto 2 mtrs.
 - BMPL 3 can drive one no. BGWC 03 01 luminaire at a maximum distance upto 2 mtrs.
 - BDP 110 can drive a maximum 9/3 nos. BG WC 01/03 01 luminaires at a maximum distance upto 3 mtrs.
 - BPB 30 can drive a maximum 29/8 nos. BG WC 01/03 01 luminaires at a maximum distance upto 10 mtrs.
- ⚙ Ingress Protection: IP 67

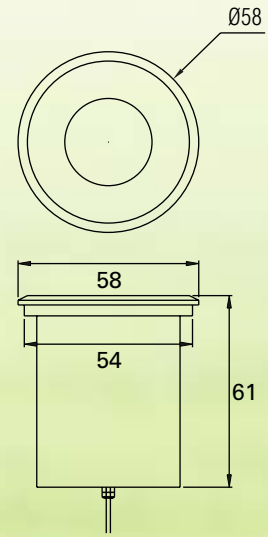
Product Data

Product Code	Catalogue Reference	No. of LEDs	LED Colour & Wattage
110306	BG WC 01 01 NB R WOD	1	Red-1W
110307	BG WC 01 01 NB G WOD	1	Green-1W
110308	BG WC 01 01 NB B WOD	1	Blue-1W
110309	BG WC 01 01 NB WW WOD	1	Warm White-1W
110310	BG WC 01 01 NB WH WOD	1	White-1W
110204	BG WC 01 01 WB R WOD	1	Red-1W
110205	BG WC 01 01 WB G WOD	1	Green-1W
110206	BG WC 01 01 WB B WOD	1	Blue-1W
110207	BG WC 01 01 WB WW WOD	1	Warm White-1W
110208	BG WC 01 01 WB WH WOD	1	White-1W
110209	BG WC 03 01 NB R WOD	3	Red-3x1W
110210	BG WC 03 01 NB G WOD	3	Green-3x1W
110211	BG WC 03 01 NB B WOD	3	Blue-3x1W
110212	BG WC 03 01 NB WW WOD	3	Warm White-3x1W
110213	BG WC 03 01 NB WH WOD	3	White-3x1W
110311	BG WC 03 01 WB R WOD	3	Red-3x1W
110312	BG WC 03 01 WB G WOD	3	Green-3x1W
110313	BG WC 03 01 WB B WOD	3	Blue-3x1W
110314	BG WC 03 01 WB WW WOD	3	Warm White-3x1W
110315	BG WC 03 01 WB WH WOD	3	White-3x1W

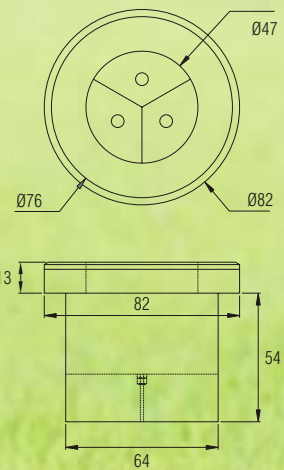
Note: In cat. ref. NB indicates Narrow Beam Luminaires; WB indicates Wide Beam Luminaires; WOD indicates Luminaire without Driver.

BMPL 1/BMPL 3/BDP 110/BPB 30 drivers to be ordered separately.

Line Diagram



BG WC 01 01 NB/WB R/B/WW/WH/G



BG WC 03 01 NB/WB R/B/WW/WH/G

LED WALKOVER LIGHT



BG WC 03 01 NB/WB RGB



BG WC 05 03 NB/WB RGB

Application

- Walk Ways
- Facade Lighting
- Parks, Gardens Lighting
- Monument Lighting
- Pedestrian Lighting

Specifications

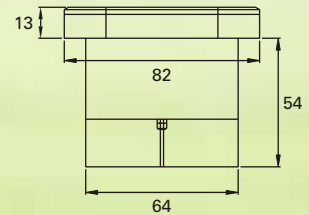
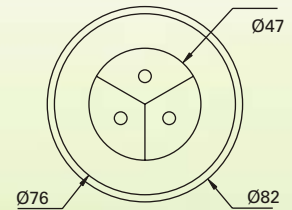
- ⚡ Floor embedded 3x1W/5x3W RGB LED walkover luminaire
- ⚡ Cast aluminium housing with stainless steel top frame
- ⚡ Narrow beam / wide beam option of secondary optics
- ⚡ RGB Luminaire - with appropriate control systems, colour changing option is Available
- ⚡ Plastic enclosure is provided for easy installation
- ⚡ Requires a separate driver
 - BRGB 30 can drive maximum 8 nos. BG WC 03 01 RGB luminaires at a maximum distance upto 10 mtrs.
 - BRGB 30 can drive one no. BG WC 05 03 RGB luminaires at a maximum distance upto 10 mtrs.
- ⚡ Optional control using hand held remote (only with BGRB 30)
 - BIR2T & BIR2R control units to be ordered separately
- ⚡ Ingress Protection: IP 67

Product Data

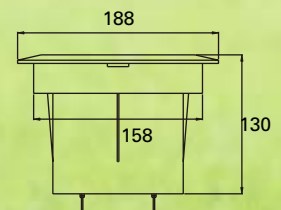
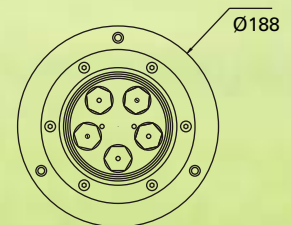
Product Code	Catalogue Reference	No. of LEDs	LED Colour & Wattage
110214	BG WC 03 01 NB RGB WOD	3	RGB-3x1W
110316	BG WC 03 01 WB RGB WOD	3	RGB-3x1W
110250	BG WC 05 03 NB RGB WOD	5	RGB-5x3W
110251	BG WC 05 03 WB RGB WOD	5	RGB-5x3W

Note: In cat. ref. NB indicates Narrow Beam Luminaires; WB indicates White Beam Luminaires; WOD indicates Luminaire without Driver.

Line Diagram



BG WC 03 01 NB/WB RBG



BG WC 05 03 NB/WB RBG



Green

LED WALKOVER LIGHT



BG WC 07 01 NB/WB R/G/B/WW/WH
BG WC 07 03 NB/WB R/G/B/WW/WH

Application

- Walk Ways
- Facade Lighting
- Parks, Gardens Lighting
- Monument Lighting
- Pedestrian Lighting

Specifications

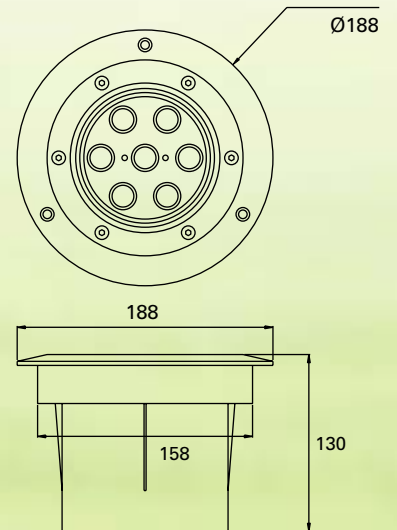
- ⚙ Floor embedded 7x1W/7x3W LED walkover luminaire
- ⚙ Cast Aluminium housing with SS top frame
- ⚙ Narrow beam / wide beam option of secondary optics
- ⚙ Available in Red, Green, Blue, Warm White & White LED colours
- ⚙ Plastic enclosure is provided for easy installation
- ⚙ Integral luminaire supplied complete with driver

Product Data

Product Code	Catalogue Reference	No. of LEDs	LED Colour & Wattage
110230	BG WC 07 01 NB R	7	Red-7x1W
110231	BG WC 07 01 NB G	7	Green-7x1W
110232	BG WC 07 01 NB B	7	Blue-7x1W
110233	BG WC 07 01 NB WW	7	Warm White-7x1W
110234	BG WC 07 01 NB WH	7	White-7x1W
110235	BG WC 07 01 WB R	7	Red-7x1W
110236	BG WC 07 01 WB G	7	Green-7x1W
110237	BG WC 07 01 WB B	7	Blue-7x1W
110238	BG WC 07 01 WB WW	7	Warm White-7x1W
110239	BG WC 07 01 WB WH	7	White-7x1W
110240	BG WC 07 03 NB R	7	Red-7x3W
110241	BG WC 07 03 NB G	7	Green-7x3W
110242	BG WC 07 03 NB B	7	Blue-7x3W
110243	BG WC 07 03 NB WW	7	Warm White-7x3W
110244	BG WC 07 03 NB WH	7	White-7x3W
110245	BG WC 07 03 WB R	7	Red-7x3W
110246	BG WC 07 03 WB G	7	Green-7x3W
110247	BG WC 07 03 WB B	7	Blue-7x3W
110248	BG WC 07 03 WB WW	7	Warm White-7x3W
110249	BG WC 07 03 WB WH	7	White-7x3W

Note: In cat. ref. NB indicates Narrow Beam Luminaires; WB indicates Wide Beam Luminaires

Line Diagram



BG WC 07 01 NB/WB R/G/B/WW/WH
BG WC 07 03 NB/WB R/G/B/WW/WH



Green

LED WALKOVER MARKER



BG WM 05 01 WB R/G/B/WW/WH

Application

- Walk Ways
- Parks, Gardens Lighting
- Pedestrian Lighting

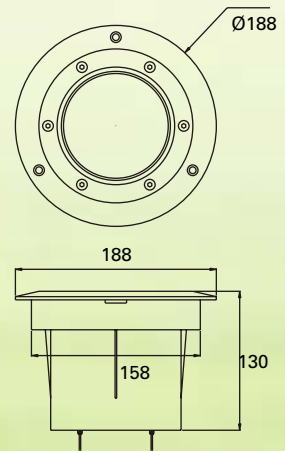
Specifications

- ⚡ Floor embedded 5x1W LED Walkover Marker luminaire
- ⚡ Cast Aluminium housing with SS Top Frame
- ⚡ Wide beam secondary optics
- ⚡ Available in Red, Green, Blue, Warm White & White LED colours
- ⚡ Plastic enclosure is provided for easy installation
- ⚡ Integral luminaires with all accessories
- ⚡ Translucent sheet to give diffused guiding light
- ⚡ Ingress Protection: IP 67

Product Data

Product Code	Catalogue Reference	No. of LEDs	LED Colour & Wattage
110220	BG WM 05 01 WB R	5	Red-5x1W
110221	BG WM 05 01 WB G	5	Green-5x1W
110222	BG WM 05 01 WB B	5	Blue-5x1W
110223	BG WM 05 01 WB WW	5	Warm White-5x1W
110224	BG WM 05 01 WB WH	5	White-5x1W

Line Diagram



BG WM 05 01 WB R/G/B/WW/WH



Green

LED UNDERWATER LIGHT



BG UW 12 01 NB/WB R/G/B/WW/WH

Application

- Underwater lighting
- Fountains
- Waterbodies

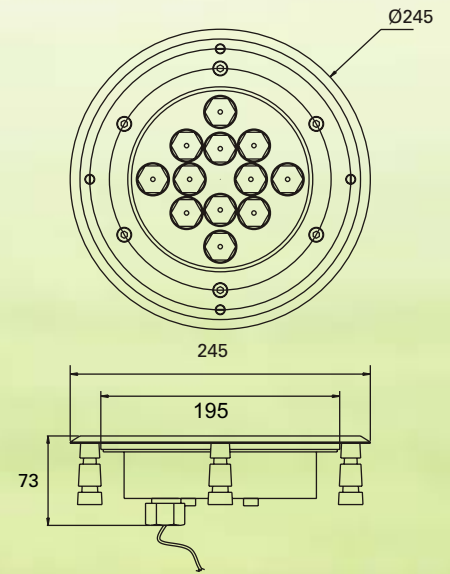
Specifications

- ⚡ Ground embedded 1x12W Hi- Flux luxeon LED with collimating lens underwater luminaire
- ⚡ Natural brass finish gunmetal die-cast housing, toughened 6mm (± 0.5 mm) thick clear glass with PVC rubber gasket for under water use
- ⚡ Available in Red, Green, Blue, Warm White and White LED colours
- ⚡ Fixture with single cable gland and not suitable for loop in loop out
- ⚡ LED driver has to mount outside the water body
- ⚡ Fixture not suitable to operate outside water body
- ⚡ Transformer – Non-Integral, confirming to relevant ENEC/UL norms, inside IP 66 CG box
- ⚡ Ingress Protection: IP 68

Product Data

Product Code	Catalogue Reference	No. of LEDs	LED Colour & Wattage
220166	BG UW 12 01 NB R	12	Red-12x1W
220167	BG UW 12 01 NB G	12	Green-12x1W
220168	BG UW 12 01 NB B	12	Blue-12x1W
220169	BG UW 12 01 NB WW	12	Warm White-12x1W
220170	BG UW 12 01 NB WH	12	White-12x1W
220171	BG UW 12 01 WB R	12	Red-12x1W
220172	BG UW 12 01 WB G	12	Green-12x1W
220173	BG UW 12 01 WB B	12	Blue-12x1W
220174	BG UW 12 01 WB WW	12	Warm White-12x1W
220175	BG UW 12 01 WB WH	12	White-12x1W

Line Diagram



BG UW 12 01 NB/WB R/G/B/WW/WH



Green facts

Kyoto Protocol

In December 1997, the Third Conference of Parties (COP) to the United Nations Framework Convention on Climate Change (UNFCCC) adopted the Kyoto Protocol. The protocol requires developed countries (listed in Annex I of the protocol) to limit their Greenhouse Gas (GHG) emissions to individual targets, resulting in on an average 5.2% reduction in the GHG emission from their 1990 emission levels, in the commitment period 2008-12. The protocol for the first time in the evolving climate change regime, provided for legally binding emission commitments by annex I parties.

A wide-angle photograph of a large, modern auditorium. The seating area is filled with rows of blue upholstered chairs, each with a light-colored wooden desk in front of it. The stage area is partially visible in the foreground, covered with a red carpet. The walls are finished with light-colored wood paneling, and the ceiling features a complex, curved, white structure with recessed lighting. Two green exit doors are visible in the background.

Indian Scenario

In India, carbon credit trade is entering the big league, with large Indian business houses jumping onto the bandwagon. After small- and mid-sized companies, it's now the turn of the Giants to explore options of cashing in on efficient production technologies to boost profitability, as polluting foreign companies rush to meet international deadlines starting next year. India is considered one of the largest beneficiaries in carbon credit trade, accounting for about \$5bn, or 31%, of the total world carbon trade through the Clean Development Mechanism.

LED CIRCULAR FLOOD



BG CF 03 01 NB R/G/B/WW/WH



BG CF 06 01 NB R/G/B/WW/WH

Application

- Monument Lighting
- Building Facade Lighting
- Landscape Lighting
- Accent Lighting

Specifications

- 🔧 3x1W/6x1W LED Circular Floodlight luminaire
- 🔧 Die Cast Aluminium Housing in silver gray finish
- 🔧 Toughened glass diffuser
- 🔧 Narrow Beam secondary Optics
- 🔧 Available in Red, Green, Blue, Warm White & White LED colours
- 🔧 Requires a separate driver
 - BMPL 3 can drive one no. BG CF 03 01 luminaire at a maximum distance upto 2 mtrs.
 - BDP 110 can drive a maximum 3/1 nos. BG CF 03/06 01 luminaires at a maximum distance upto 3 mtrs.
 - BPB 30 can drive a maximum 8/4 nos. BG CF 03/06 01 luminaires at a maximum distance upto 10 mtrs.
- 🔧 Ingress Protection: IP 67

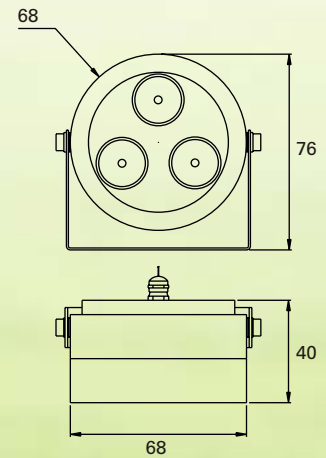
Electric Data

Product Code	Catalogue Reference	No. of LEDs	LED Colour & Wattage
110276	BG CF 03 01 NB R WOD	3	Red-3x1W
110277	BG CF 03 01 NB G WOD	3	Green-3x1W
110278	BG CF 03 01 NB B WOD	3	Blue-3x1W
110279	BG CF 03 01 NB WW WOD	3	Warm White-3x1W
110280	BG CF 03 01 NB WH WOD	3	White-3x1W
110282	BG CF 06 01 NB R WOD	6	Red-6x1W
110283	BG CF 06 01 NB G WOD	6	Green-6x1W
110284	BG CF 06 01 NB B WOD	6	Blue-6x1W
110285	BG CF 06 01 NB WW WOD	6	Warm White-6x1W
110286	BG CF 06 01 NB WH WOD	6	White-6x1W

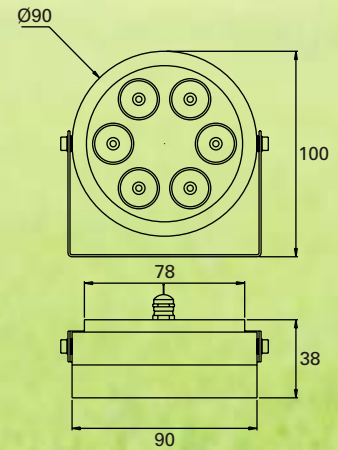
Note: WOD indicates Luminaire without Driver.

BMPL 3/BDP 110/BPB 30 drivers to be ordered separately.

Line Diagram



BG CF 03 01 NB R/G/B/WW/WH



BG CF 06 01 NB R/G/B/WW/WH

LED CIRCULAR FLOOD



BG CF 03 01 NB RGB



BG CF 06 01 NB RGB

Application

- Monument Lighting
- Landscape Lighting
- Building Facade Lighting
- Accent Lighting

Specifications

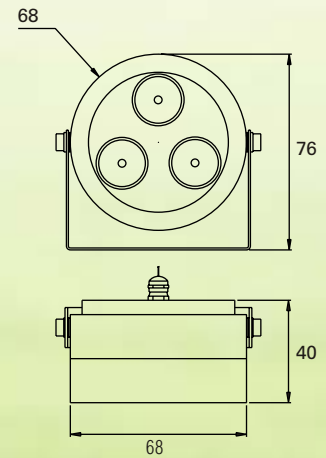
- 🔧 3x1W/6x1W LED Circular Floodlight luminaire
- 🔧 Die Cast Aluminium Housing in silver gray finish
- 🔧 Toughened glass diffuser
- 🔧 Narrow Beam Secondary Optics
- 🔧 RGB Luminaire - with appropriate control systems, colour changing option is Available
- 🔧 Requires a separate driver
 - BRGB 30 can drive maximum 8 nos. BG CF 03 01 RGB luminaires at a maximum distance upto 10 mtrs.
 - BRGB 30 can drive maximum 4 nos. BG CF 06 01 RGB luminaires at a maximum distance upto 10 mtrs.
- 🔧 Optional control using hand held remote
 - BIR2T & BIR2R control units to be ordered separately
- 🔧 Ingress Protection: IP 67

Product Data

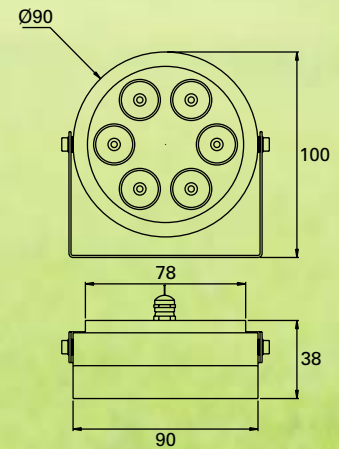
Product Code	Catalogue Reference	No. of LEDs	LED Colour & Wattage
110281	BG CF 03 01 NB RGB WOD	3	RGB-3x1W
110287	BG CF 06 01 NB RGB WOD	6	RGB-6x1W

Note: WOD indicates Luminaire without Driver.

Line Diagram



BG CF 03 01 NB RGB



BG CF 06 01 NB RGB



LED LINEAR FLOOD



BG LF 09 01 R/G/B/WW/WH



BG LF 12 01 R/G/B/WW/WH



BG LF 18 01 R/G/B/WW/WH

Application

- Monument Lighting
- Landscape Lighting
- Building Facade Lighting
- Accent Lighting

Specifications

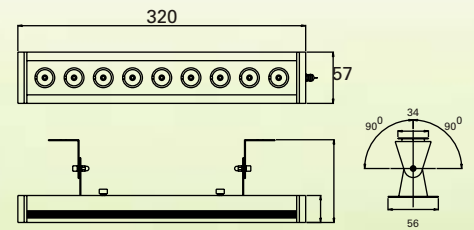
- 🔧 9/12/18W LED linear flood light luminaire
- 🔧 Silver grey finish extruded aluminium housing with toughened glass diffuser
- 🔧 Available in Red, Green, Blue, Warm White & White LED colours
- 🔧 Rotatable mounting bracket in extruded aluminium for ease of installation
- 🔧 Requires a separate driver
 - BPB 30 can drive a maximum 3/2//1 nos. BG LF 09/12/18 01 luminaires at a maximum distance upto 10 mtrs.
- 🔧 Ingress Protection: IP 67

Product Data

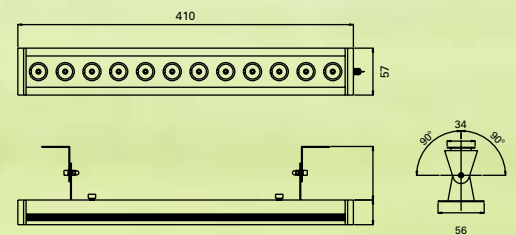
Product Code	Catalogue Reference	No. of LEDs	LED Colour & Wattage
110252	BG LF 09 01 R WOD	9	Red-9x1W
110253	BG LF 09 01 G WOD	9	Green-9x1W
110254	BG LF 09 01 B WOD	9	Blue-9x1W
110255	BG LF 09 01 WW WOD	9	Warm White-9x1W
110256	BG LF 09 01 WH WOD	9	White-9x1W
110258	BG LF 12 01 R WOD	12	Red-12x1W
110259	BG LF 12 01 G WOD	12	Green-12x1W
110260	BG LF 12 01 B WOD	12	Blue-12x1W
110261	BG LF 12 01 WW WOD	12	Warm White-12x1W
110262	BG LF 12 01 WH WOD	12	White-12x1W
110264	BG LF 18 01 R WOD	18	Red-18x1W
110265	BG LF 18 01 G WOD	18	Green-18x1W
110266	BG LF 18 01 B WOD	18	Blue-18x1W
110267	BG LF 18 01 WW WOD	18	Warm White-18x1W
110268	BG LF 18 01 WH WOD	18	White-18x1W

Note: WOD indicates Luminaire without Driver.

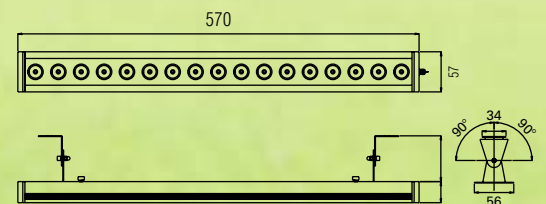
Line Diagram



BG LF 09 01 R/G/B/WW/WH



BG LF 12 01 R/G/B/WW/WH



BG LF 18 01 R/G/B/WW/WH

LED LINEAR FLOOD



BG LF 09 01 RGB



BG LF 12 01 RGB



BG LF 18 01 RGB

Application

- Monument Lighting
- Landscape Lighting
- Building Facade Lighting
- Accent Lighting

Specifications

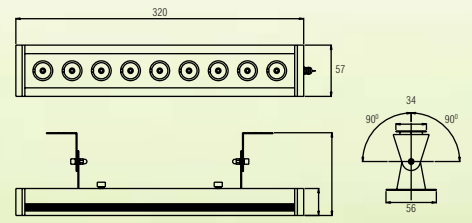
- 🔧 9/12/18W LED linear flood light luminaire
- 🔧 Silver grey finish extruded aluminium housing with toughened glass diffuser
- 🔧 RGB Luminaire - with appropriate control systems, colour changing option is available
- 🔧 Rotatable mounting bracket in extruded aluminium for ease of installation
- 🔧 Requires a separate driver
 - BRGB 30 can drive maximum 3/2/1 nos. BG LF 09/12/18 01 RGB luminaires at a maximum distance upto 10 mtrs.
 - Colour changing using BDMX1 Driver - to control 3/2/1 luminaires
 - Colour changing using BDMX2 Driver - to control 27/20/12 luminaires
- 🔧 Optional control using hand held remote (only with BGRB 30)
 - BIR2T & BIR2R control units to be ordered separately
- 🔧 Ingress Protection: IP 67

Product Data

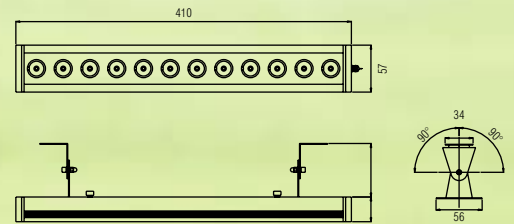
Product Code	Catalogue Reference	No. of LEDs	LED Colour & Wattage
110257	BG LF 09 01 RGB WOD	9	RGB-9x1W
110263	BG LF 12 01 RGB WOD	12	RGB-12x1W
110269	BG LF 18 01 RGB WOD	18	RGB-18x1W

Note: WOD indicates Luminaire without Driver.

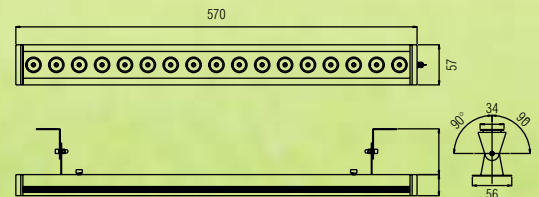
Line Diagram



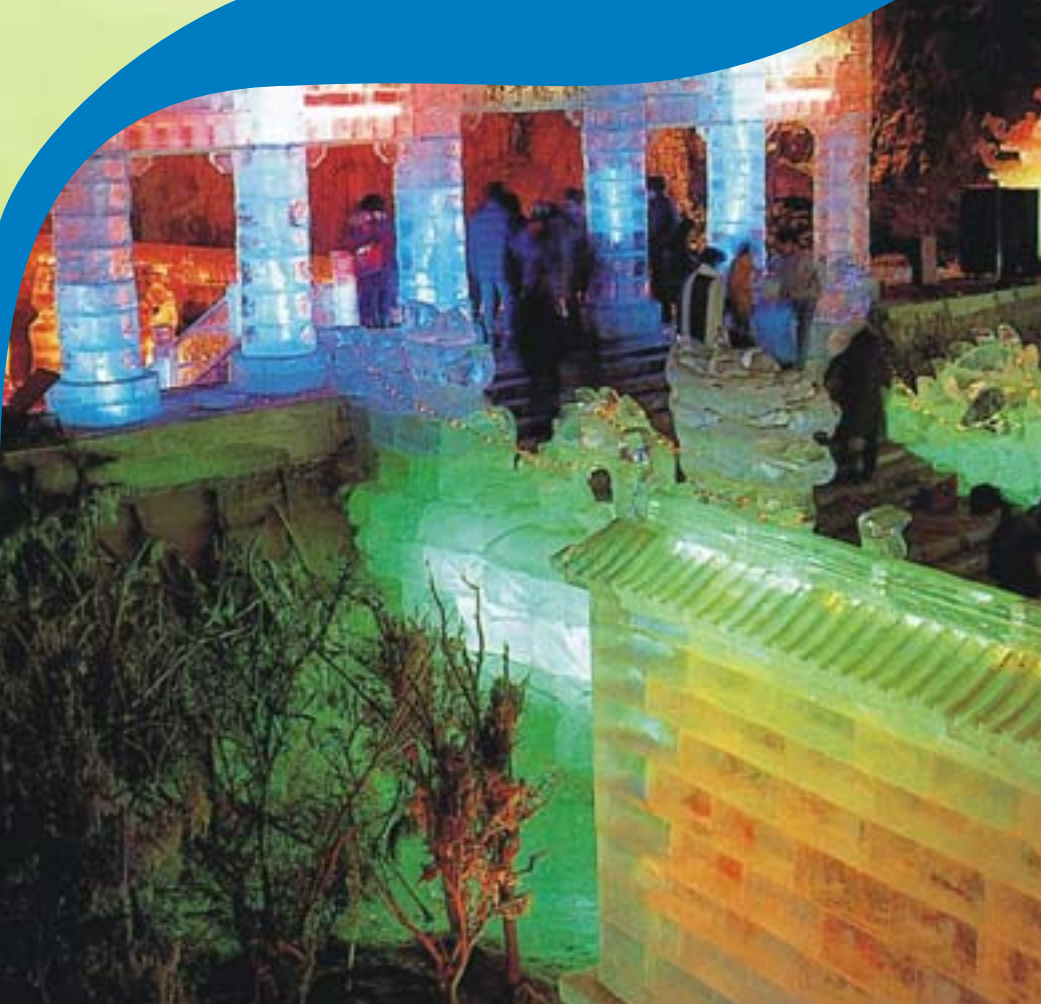
BG LF 09 01 RGB



BG LF 12 01 RGB



BG LF 18 01 RGB



LED RECTANGULAR FLOOD



BG RF 36 01 R/G/B/WW/WH
BG RF 36 01 RGB

Application

- Monument Lighting
- Landscape Lighting
- Building Facade Lighting
- Accent Lighting

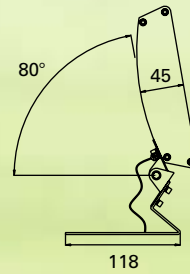
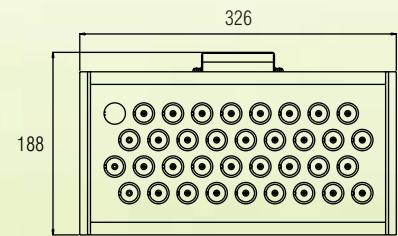
Specifications

- 🔧 36W LED rectangular flood light luminaire
- 🔧 Silver grey finish extruded aluminium housing with toughened glass diffuser
- 🔧 Rotatable mounting bracket in extruded aluminium for ease of installation
- 🔧 Available in Red, Green, Blue, Warm White & White LED colours
- 🔧 RGB Luminaire - with appropriate control systems, colour changing option is available
- 🔧 Requires a separate driver
 - BDMX1 to driver a maximum of one luminaire
 - BDMX2 driver to drive a maximum of eight luminaires
- 🔧 For RGB Luminaires, colour changing using BDMX1 and BDMX2 drivers
- 🔧 Ingress Protection: IP 67

Product Data

Product Code	Catalogue Reference	No. of LEDs	LED Colour & Wattage
110252	BG RF 36 01 R WOD	36	Red-36x1W
110253	BG RF 36 01 G WOD	36	Green-36x1W
110254	BG RF 36 01 B WOD	36	Blue-36x1W
110255	BG RF 36 01 WW WOD	36	Warm White-36x1W
110256	BG RF 36 01 WH WOD	36	White-36x1W
110258	BG RF 36 01 RGB WOD	36	RGB-36x1W

Line Diagram



BG RF 36 01 R/G/B/WW/WH
BG RF 36 01 RGB

LED DRIVER



BMPL1 / BMPL 3



BDP 110



BPB 30 / BRGB 30

Specifications

- 🔌 Driver for high brightness LEDs
- 🔌 Insulation class II
- 🔌 Suitable for 1w and 3w LEDs; Connection to be given in series
- 🔌 Constant current output at 350mA +/-10%
- 🔌 Self resetting protection against over temperatures, open circuit and against output short circuits
- 🔌 Input voltage 190V-250V AC
- 🔌 Standard software cycle of 17 seconds in BRGB 30

Electric Data

Product Code	Catalogue Reference	Current Output	Input Voltage (V)
110288	BMPL1	350mA	190V-250V
110289	BMPL2	350mA	190V-250V
110290	BDP110	350mA	190V-250V
110291	BPB30	350mA	190V-250V
110294	BRGB30	350mA	190V-250V

LED REMOTE CONTROL SYSTEM



BIR 2R IRC2



BIR 2R Receiver



IR 2T Transmitter
(Remote)

Specifications

- ✦ Remote control unit to control RGB LED
- ✦ To be used with BRGB30 driver
- ✦ Consists of two units; BIR2T - Transmitter and BIR2R receiver
- ✦ BIR2R receiver consists of two sub units - BIR2R Receiver lens and IRC2 controller
- ✦ Transmission range 6 - 10m; Remote to be used with 1.5V AAA Batteries (not included)
- ✦ BIR2R receiver lens is suitable for mounting in MR11 fixtures

Electric Data

Product Code	Catalogue Reference	Current Output	Input Voltage (V)
110295	BIR2T & BIR2R	350mA	190V-250V

NOTE: **LED Drivers** and **LED Remote Control System** for indoor application only, to be used in a suitable enclosure for outdoor application.



Bajaj Electricals Limited

BRANCH	PHONE	FAX	E-mail
AHMEDABAD 106, Sakar III, Off Ashram Road Navrangpura, Ahmedabad 380 014.	079-27543964, 27543967, 27540397	079-27543950	lum_am_ahm@bajajelectricals.com
BANGALORE Bajaj Bhavan, No. 16, Residency Road, Bangalore 560 025.	080-22235486, 22238984, 22275505	080-22214878, 22275505	lum_am_ban@bajajelectricals.com
BHUBANESWAR Kharavela Nagar, Janpath, Bhubaneswar 751 001.	0674-2390697, 2396980, 2394052	0674-2390294	lum_am_bh@bajajelectricals.com
CHANDIGARH SCO 52, Sector-26, Madhya Marg, Chandigarh 160 026.	0172-4303211	0172-2792932	lum_am_chd@bajajelectricals.com
CHENNAI Navin's Presidium, 8th Floor, A- Block, Old No.103-A, Nelson Manickam Road, Aminjikarai, Chennai 600 029	044-42162200	044-42163300	lum_am_che@bajajelectricals.com
COCHIN CRL House, 42/1107, Tata Oil Mills Road, Cochin 682 018.	0484-2391119, 2396128, 2392039	0484-2391744	lum_am_ccn@bajajelectricals.com
DELHI 1/10, Asaf Ali Road, New Delhi 110 002	011-23236055, 23233056, 23235057	011-23230214	lum_am_del@bajajelectricals.com
GUWAHATI Agarwal House, Christian Basti, G. S. Road, Guwahati 787 005.	0361-2346497, 2346498, 2346499	0361-2346496	lum_am_guw@bajajelectricals.com
HARYANA 1/10, Asaf Ali Road, New Delhi 110 002	011-43725500	011-23230214	lum_am_hyr@bajajelectricals.com
HYDERABAD H. No. 6-3-1090/2, 3rd Floor, Vithal Das Chambers, Rajbhavan Road, Somaji Guda, Hyderabad 500 082.	040-23442932, 23442933, 2344293	040-23302745	lum_am_hyd@bajajelectricals.com
INDORE Commerce House, 3 rd Floor, 7 Race Course Road, Indore 452 003, MP.	0731-2548909/10/18	0731-2548911	lum_am_ind@bajajelectricals.com
JAIPUR Raghukamal Niwas, M. I. Road, Jaipur 302 001.	0141-2377364, 2369541, 2369542	0141-2374261	lum_am_jai@bajajelectricals.com
KOLKATA 10, Ganesh Chandra Avenue, Kolkata 700 013.	033-22379270, 22377657, 22216638	033-22259111	lum_am_cal@bajajelectricals.com
LUCKNOW Bajaj Bhavan, 21/32 A, Tilak Marg, Lucknow 226 001.	0522-2620595, 2613549	0522-2626513	lum_am_luc@bajajelectricals.com
MUMBAI Harchandrai House, 3rd Floor, 81, Queens Road, Marine Lines, Mumbai 400 002.	022-22089091	022-22089193	lum_am_mum@bajajelectricals.com
NAGPUR 2nd Floor, Saraf Court, Opp. Yashwant Stadium, Dhantoli, Nagpur.	0712-2440318, 2440319	0712-2420102	lum_am_war@bajajelectricals.com
NOIDA Flat No. 505-507, 5th Floor, Vikrant Tower, 4, Rajendra Place, Pusa Road, New Delhi 110 008.	011-25711961, 25861963, 25861964	011-25861962	lum_am_del2@bajajelectricals.com
PATNA Kashi Place, Dak Bunglow Road, Patna 800 001.	0612-2231427, 2220155, 2225911	0612-2231978, 2231427	lum_am_pat@bajajelectricals.com
PUNE Maneck Hall, 2, General Thimmayya Road, Pune 411 001.	020-26360801, 26361321, 26360703	020-26360698	lum_am_pun@bajajelectricals.com
RAIPUR Bajaj Bhavan, G. E. Road, Near Mahaveer Garden, Raipur 492 001.	0771-2263986, 2263976, 2660166	0771-2263310	lum_am_rai@bajajelectricals.com
LUMINAIRES HEAD OFFICE and R&D OFFICE			
15/17, Sant Savta marg, Reay Road, Mumbai 400 010.	022-2376 5000	Fax: 022-2373 0504	
HEAD OFFICE			
51, Mahatma Gandhi Road, Mumbai 400 001.	022-22043780, 22851462, 22875135	Fax: 022-22828250	
REGISTERED OFFICE			
45/47, Veer Nariman Road, Mumbai 400 001.	022-22043841, 22045046, 22045341	Fax: 022-22851279	



Bajaj Electricals Limited

Inspiring Trust

Luminares Business Unit,
15/17, Sant Savta Marg, Reay Road, Mumbai - 400 010.
Tel. : 022-2376 5000. Fax : 022-2373 0504
E-mail: luminares@bajajelectricals.com
Website: www.bajajelectricals.com