

# LUMENA

COMMERCIAL DECORATIVE LIGHTING



# LUMENA

## COMMERCIAL DECORATIVE LIGHTING

The Bajaj Lumena is a galaxy of splendid Luminaires best suited for premium work space lighting applications. By the thought of "Making the difference" with new ideas and solutions, we bring to you never before product portfolio from our Galaxy called "Lumena".

Lighting that appeal to the most creative minds that design and light the best known infrastructures in the industry. If you think different like us, we bring to you a brand that will be of international standard through best in class design backed by high quality performance and customer satisfaction.

# LUMENA

COMMERCIAL DECORATIVE LIGHTING



# BPOARM 414

## APPLICATION

Offices, Lobbies, Classrooms, Workstations, Shopping malls, etc.

## LUMINAIRE BODY

White powder coated CRCA sheet steel (0.8mm) housing with aluminium extruded lip.

Louver assembly is added in the middle of out-bended arc shape acrylic diffuser.

LG 7 compliant luminaire

## REFLECTOR

High quality pre-anodised reflector with aluminium cross louvers assembly.

## CONTROL GEAR

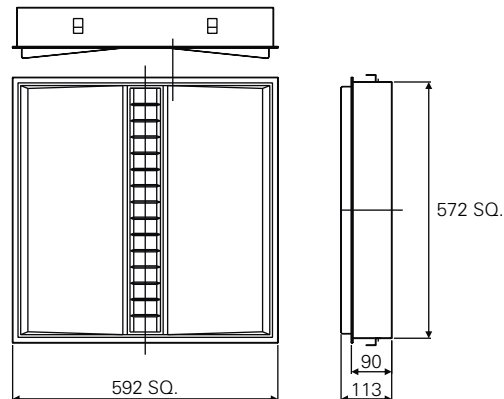
Wired with <10% THD HF electronic ballast suitable for quadruple T5 14W lamps.

## LAMP

Luminaire is suitable for quadruple T5 14W lamps.

## Electrical Data

Cat. Ref.	Lamp Type & Wattage (W)	Nominal Voltage (V)	Mains Current at at 240 V in Amps.	Power Factor
BPOARM 414	4 x 14W T5	240	0.261	0.99



# LUMENA

COMMERCIAL DECORATIVE LIGHTING



# BPIARM 414

## APPLICATION

Offices, Lobbies, Classrooms, Workstations, Shopping malls, etc.

## LUMINAIRE BODY

White powder coated CRCA sheet steel (0.8mm) housing with aluminium extruded lip.

Louver assembly is added in the middle of in-bended arc shape acrylic diffuser.

## REFLECTOR

High quality pre-anodised reflector with aluminium cross louvers assembly.

## CONTROL GEAR

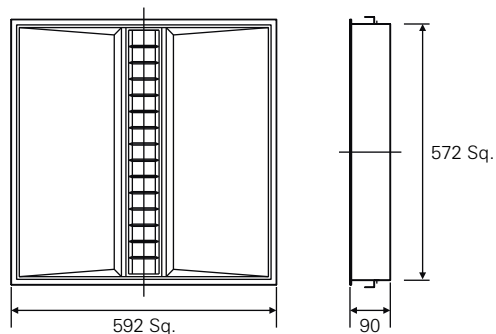
Wired with <10% THD HF electronic ballast suitable for quadruple T5 14W lamps.

## LAMP

Luminaire is suitable for quadruple T5 14W lamps.

## Electrical Data

Cat. Ref.	Lamp Type & Wattage (W)	Nominal Voltage (V)	Mains Current at 240 V in Amps.	Power Factor
BPIARM 414	4 x 14W T5	240	0.261	0.99



# LUMENA

COMMERCIAL DECORATIVE LIGHTING





# BPFARM 414

## APPLICATION

Offices, Lobbies, Classrooms, Workstations, Shopping malls, etc.

## LUMINAIRE BODY

White powder coated CRCA sheet steel (0.8mm) housing with aluminium extruded lip.

Louver assembly is added in the middle of acrylic diffuser.

## REFLECTOR

High quality pre-anodised reflector with aluminium cross louvers assembly.

## CONTROL GEAR

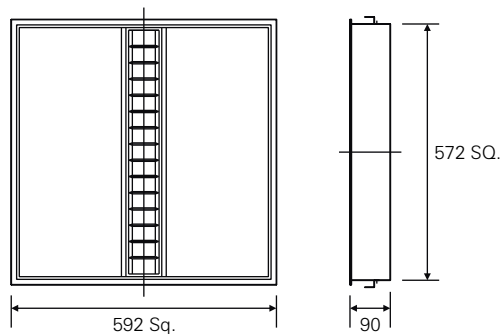
Wired with <10% THD HF electronic ballast suitable for quadruple T5 14W lamps.

## LAMP

Luminaire is suitable for quadruple T5 14W lamps.

## Electrical Data

Cat. Ref.	Lamp Type & Wattage (W)	Nominal Voltage (V)	Mains Current at 240 V in Amps.	Power Factor
BPFARM 414	4 x 14W T5	240	0.261	0.99



# LUMENA

COMMERCIAL DECORATIVE LIGHTING



# BPWW 218 W2EB

Recess, decorative, twin 18W horizontal CFL lamp wall washer downlighters

## APPLICATION

Commercial complexes, Conference hall, Corridors, passages & foyers, Areas with video monitors / screens, Hotels & restaurants, Shops & show windows, etc.

## LUMINAIRE BODY

White powder coated pressure die-cast aluminium ring.

Specially designed ballast, lamp holders and reflector mounting bracket.

Adjustable mounting bracket.

Easy to install and maintain.

## REFLECTOR

Spun anodised aluminium reflector.

## CONTROL GEAR

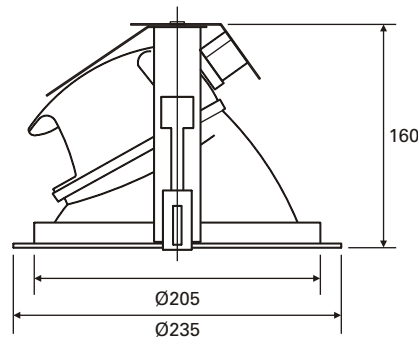
Accessories for twin 18W CFL, prewired upto terminal block, wired with 2 nos., Engg. Plastic body <30% THD HF electronic ballasts.

## LAMP

Luminaire is suitable for twin 18W CFL lamps.

## Electrical Data

Cat. Ref.	Lamp Type & Wattage (W)	Nominal Voltage (V)	Mains Current at 240 V in Amps.	Power Factor
BPWW 218 W2EB	2 x 18W CFL	240	2 x 0.08	0.90



# LUMENA

COMMERCIAL DECORATIVE LIGHTING



# BPDL 126 AG WEB

Recess, decorative, single horizontal lamp mounting CFL downlighters

## APPLICATION

Commercial complexes, Conference hall, Corridors, passages & foyers, Areas with video monitors / screens, Hotels & restaurants, Shops & show windows, etc.

## LUMINAIRE BODY

Biflex parabolic louver provided for good glare control.  
Chrome plated pressure die-cast aluminium ring.  
Spring loaded adjustable mounting bracket.  
Easy to install and maintain.

## REFLECTOR

Spun anodised aluminium reflector.

## CONTROL GEAR

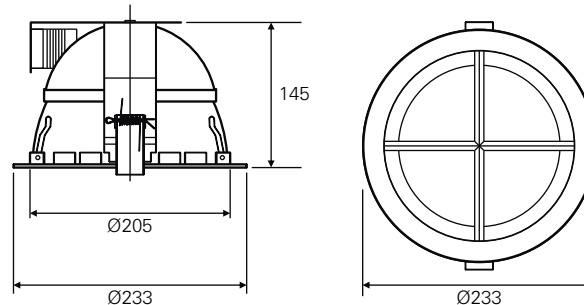
Accessories for single 26W CFL, prewired upto terminal block, wired with <30% THD HF electronic ballasts.

## LAMP

Luminaire is suitable for single 26W CFL lamps.

## Electrical Data

Cat. Ref.	Lamp Type & Wattage (W)	Nominal Voltage (V)	Mains Current at 240 V in Amps.	Power Factor
BPDL 126 AG WEB	1 x 26W CFL	240	0.118	0.90



# LUMENA

COMMERCIAL DECORATIVE LIGHTING



# BPDL 113 RF / 213 CFL W2EB ACR

Recess, decorative, horizontal & retrofit lamp mounting  
CFL downlighters

## APPLICATION

Commercial complexes, Conference hall, Corridors, passages & foyers, Hotels & restaurants,  
Shops & show windows, etc

## LUMINAIRE BODY

Epoxy white powder coated CRCA square housing with white powder coated pressure die-cast aluminium square frame.

Acrylic diffuser provided for diffused light for twin 13W CFL lamps.

Adjustable mounting brackets to suit varying false ceiling depths – easy to install & maintain.

## REFLECTOR

Anodised aluminium reflector in centre for 13W retrofit lamp.

## CONTROL GEAR

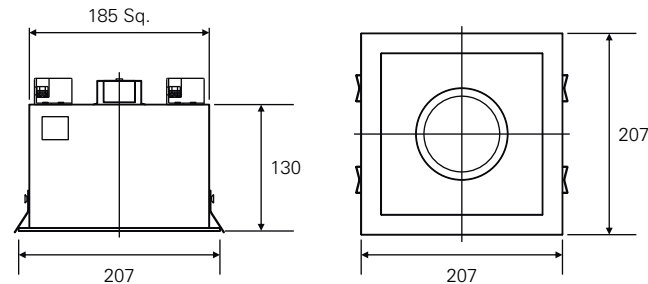
Accessories for single 13W retrofit and twin 13W CFLs prewired upto terminal block., wired with 2 nos., Engg. Plastic body <30% THD HF electronic ballasts.

## LAMP

Luminaire is suitable for single 13W retrofit and twin 13W CFL lamps.

## Electrical Data

Cat. Ref.	Lamp Type & Wattage (W)	Nominal Voltage (V)	Mains Current at 240 V in Amps.	Power Factor
BPDL 113 RF / 213 CFL W2EB	1x13WE RFCFL + 2x13W CFL	240	0.06	0.90



# LUMENA

COMMERCIAL DECORATIVE LIGHTING





# BPAWUDL 214

Wall mounting single T5 fluorescent lamp up light luminaire

## APPLICATION

Offices & banks, Commercial establishments, Hospitals & Laboratories, Computer centers, Education centers, etc.

## LUMINAIRE BODY

Elegantly designed, extruded aluminium housing.

Plastic molded ends enhance the aesthetics by breaking the monotony.

Acrylic diffuser adds to the design element.

Provides soothing and up-down light.

Luminaire suitable for wall mounting.

## CONTROL GEAR

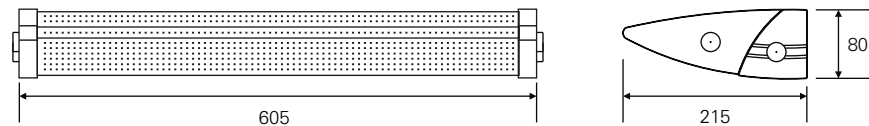
Accessories for single 14W T5 lamps, prewired upto the terminal block, wired with <10% THD HF electronic ballast.

## LAMP

Luminaire is suitable for single 14W T5 lamps.

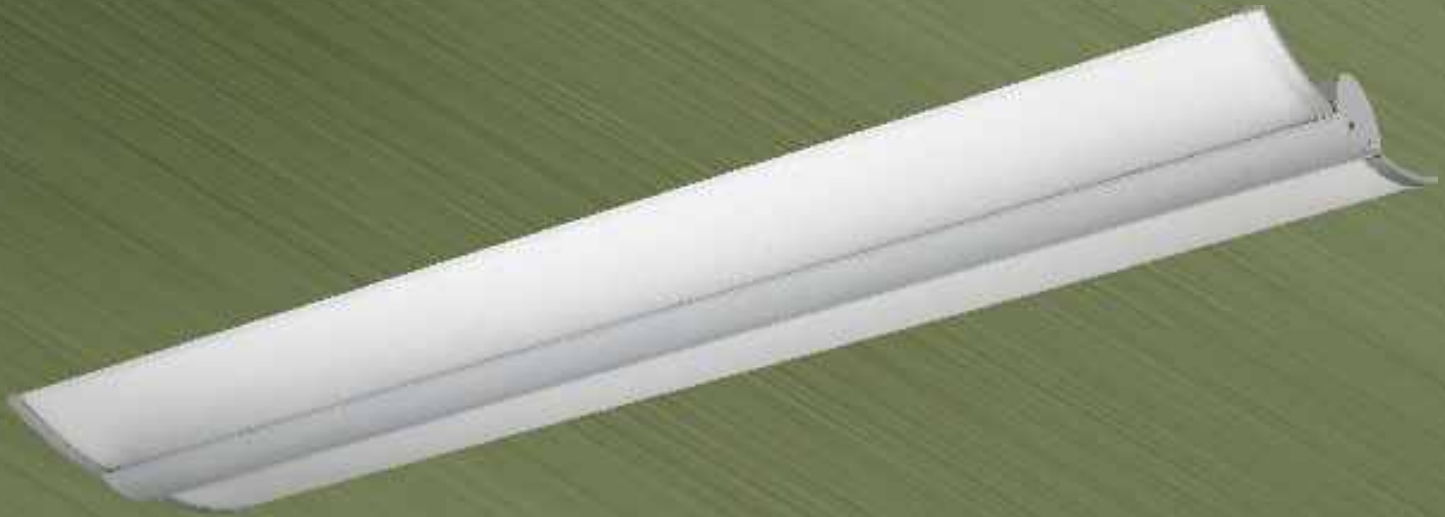
## Electrical Data

Cat. Ref.	Lamp Type & Wattage (W)	Nominal Voltage (V)	Mains Current at 240 V in Amps.	Power Factor
BPAWUDL 214	2 x 14W T5	240	0.072	0.99



# LUMENA

COMMERCIAL DECORATIVE LIGHTING



# BPAUL 228

Suspension mounting twin T5 fluorescent lamp uplighter

## APPLICATION

Offices & banks, Commercial establishments, Hospitals & Laboratories, Computer centers, Education centers, etc.

## LUMINAIRE BODY

Elegantly designed, aluminium extruded housing and cover.

Extruded aluminium in the center adds to the design element.

Serrated acrylic diffusers provide smooth light distribution.

A plastic end cap enhances the aesthetics by breaking the monotony.

Unique suspension system enhances easy installation and alignment.

## CONTROL GEAR

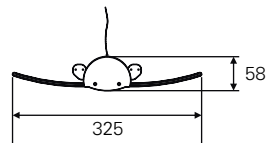
Accessories for 2 x 28W T5 fluorescent lamps, prewired upto the terminal block, wired with <10% THD HF electronic ballast.

## LAMP

Luminaire is suitable for 2 x 28W T5 fluorescent lamps.

## Electrical Data

Cat. Ref.	Lamp Type & Wattage (W)	Nominal Voltage (V)	Mains Current at 240 V in Amps.	Power Factor
BPAUL 228	2 x 28W T5	240	0.261	0.99



# LUMENA

COMMERCIAL DECORATIVE LIGHTING



# BPASL 228

Suspension mounting twin T5 fluorescent lamp uplighter

## APPLICATION

Offices & banks, Commercial establishments, Computer centers, Education centers, etc.

## LUMINAIRE BODY

Silver grey finished elegantly designed, aluminium extruded housing.

A pressure die-cast aluminium end cap enhances the aesthetics by breaking the monotony.

Linear prismatic PMMA diffusers provide smooth light distribution.

Unique suspension system enhances easy installation and alignment.

## CONTROL GEAR

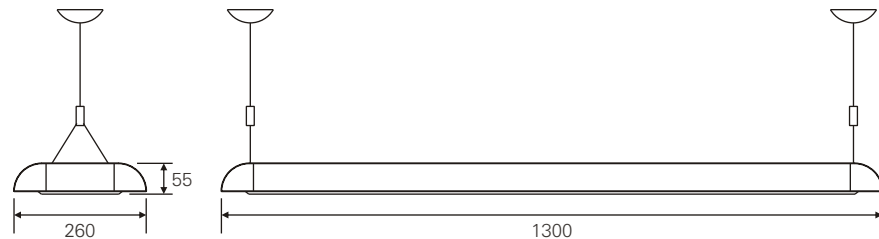
Accessories for 2 x 28W T5 fluorescent lamps, prewired upto the terminal block, wired with <10% THD HF electronic ballast.

## LAMP

Luminaire is suitable for 2 x 28W T5 fluorescent lamps.

## Electrical Data

Cat. Ref.	Lamp Type & Wattage (W)	Nominal Voltage (V)	Mains Current at 240 V in Amps.	Power Factor
BPASL 228	2 x 28W T5	240	0.261	0.99



# LUMENA

COMMERCIAL DECORATIVE LIGHTING



# BPACL 228

Surface mounting twin T5 fluorescent lamp uplighter

## APPLICATION

Offices & banks, Commercial establishments, Computer centers, Education centers, etc.

## LUMINAIRE BODY

Silver grey finished elegantly designed, aluminium extruded housing.

A pressure die-cast aluminium end cap enhances the aesthetics by breaking the monotony.

Linear prismatic PMMA diffusers provide smooth light distribution.

Surface mounting luminaire.

## CONTROL GEAR

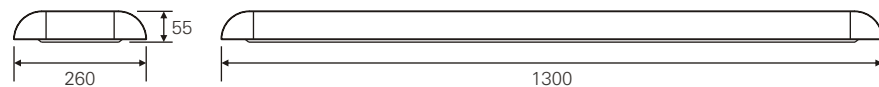
Accessories for 2 x 28W T5 fluorescent lamps, prewired upto the terminal block, wired with <10% THD HF electronic ballast.

## LAMP

Luminaire is suitable for 2 x 28W T5 fluorescent lamps.

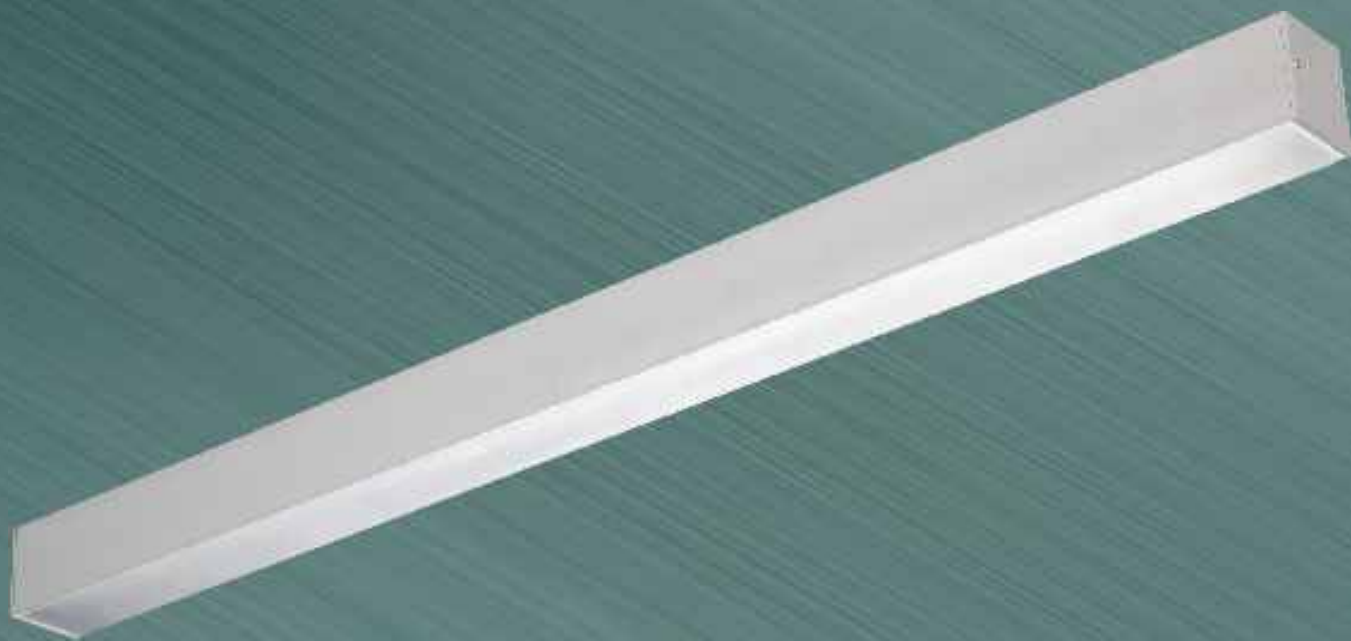
## Electrical Data

Cat. Ref.	Lamp Type & Wattage (W)	Nominal Voltage (V)	Mains Current at 240 V in Amps.	Power Factor
BPACL 228	2 x 28W T5	240	0.261	0.99



# LUMENA

COMMERCIAL DECORATIVE LIGHTING





# BPTX 128

Suspension mounting twin T5 fluorescent lamp uplighter

## APPLICATION

Passage, corridor lighting (ESP. IT, ITES), Premium & Mini offices, Shopping malls, Consultancy rooms, Reception areas, Hospitality industry, etc.

## LUMINAIRE BODY

Extruded aluminium housing fitted with engg. Plastic end plates.  
Easy fit profiles serrated acrylic diffuser provides smooth light distribution.  
Very user-friendly and maintenance friendly.

## CONTROL GEAR

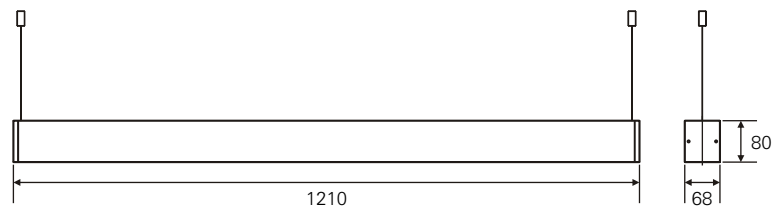
Accessories for 1 x 28W T5 lamp prewired upto the terminal block, wired with <10% THD HF electronic ballast.

## LAMP

Luminaire is suitable for 1 x 28W T5 lamps.

## Electrical Data

Cat. Ref.	Lamp Type & Wattage (W)	Nominal Voltage (V)	Mains Current at 240 V in Amps.	Power Factor
BPTX 128	1 x 28W T5	240	0.135	0.99



# LUMENA

COMMERCIAL DECORATIVE LIGHTING



# BPTX 228

## APPLICATION

Passage, corridor lighting (ESP. IT, ITES), Premium & Mini offices, Shopping malls, Consultancy rooms, Reception areas, Hospitality industry, etc.

## LUMINAIRE BODY

Extruded aluminium housing fitted with engg. Plastic end plates.  
Easy fit profiles serrated acrylic diffuser provides smooth light distribution.  
Very user-friendly and maintenance friendly.

## CONTROL GEAR

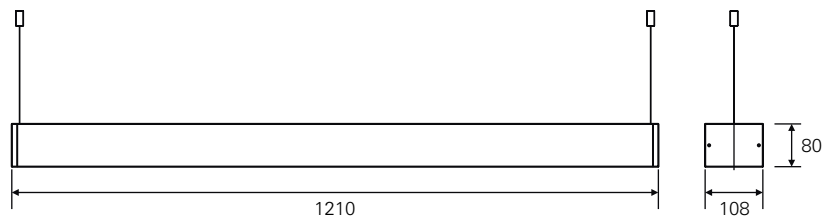
Accessories for 2 x 28W T5 lamp prewired upto the terminal block, wired with <10% THD HF electronic ballast.

## LAMP

Luminaire is suitable for 2 x 28W T5 lamps.

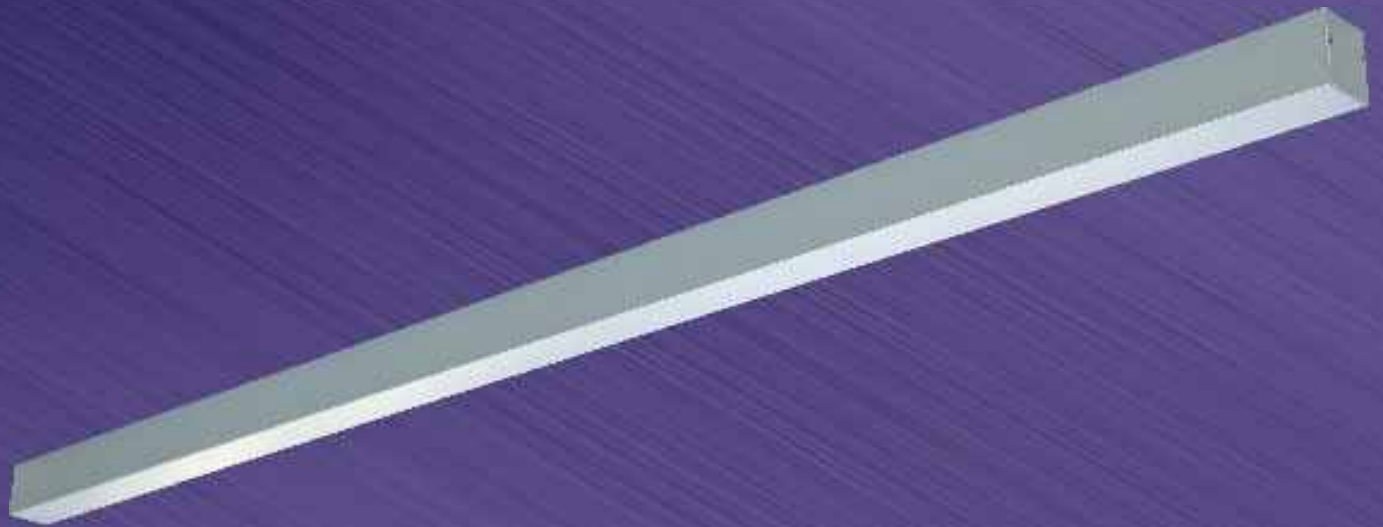
## Electrical Data

Cat. Ref.	Lamp Type & Wattage (W)	Nominal Voltage (V)	Mains Current at 240 V in Amps.	Power Factor
BPTX 228	2 x 28W T5	240	0.261	0.99



# LUMENA

COMMERCIAL DECORATIVE LIGHTING



# BPT2.3X 228

## APPLICATION

Passage, corridor lighting (ESP. IT, ITES), Premium & Mini offices, Shopping malls, Consultancy rooms, Reception areas, Hospitality industry, etc.

## LUMINAIRE BODY

Extruded aluminium suspended housing fitted with engg. Plastic end plates. Easy fit profiles opal acrylic diffuser provides smooth light distribution. Very user-friendly and maintenance friendly.

## CONTROL GEAR

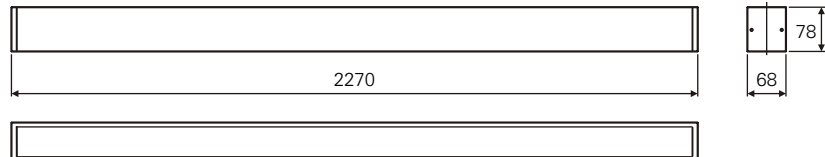
Accessories for 2 x 28W T5 lamp prewired upto the terminal block, wired with <10% THD HF electronic ballast.

## LAMP

Luminaire is suitable for 2 x 28W T5 lamps.

## Electrical Data

Cat. Ref.	Lamp Type & Wattage (W)	Nominal Voltage (V)	Mains Current at 240 V in Amps.	Power Factor
BPT2.3X 228	2 x 28W T5	240	0.261	0.99



# Branch Offices



## AHMEDABAD

106, Sakar III, Off Ashram Road  
Navrangpura, Ahmedabad 380 014.  
Phone: 079-27543964, 27543967, 27540397  
Fax: 079-27543950  
Email: lum\_am\_ahm@bajajelectricals.com

## HARYANA

1/10, Asaf Ali Road, New Delhi 110 002  
Phone: 011-43725500  
Fax: 011-23230214  
Email: lum\_am\_hyr@bajajelectricals.com

## NOIDA

Fiat No. 505-507, 5th Floor, Vikrant Tower,  
4, Rajendra Place, Pusa Road, New Delhi 110 008.  
Phone: 011-25711961, 25861963, 25861964  
Fax: 011-25861962  
Email: lum\_am\_del2@bajajelectricals.com

## BANGALORE

Bajaj Bhavan, No. 16, Residency Road,  
Bangalore 560 025.  
Phone: 080-22235486, 22238984, 22275505  
Fax: 080-22214878, 22275505  
Email: lum\_am\_ban@bajajelectricals.com

## HYDERABAD

H. No. 6-3-1090/2, 3rd Floor, Vithal Das Chambers,  
Rajbhavan Road, Somaji Guda, Hyderabad 500 082.  
Phone: 040-23442932, 23442933, 23442934  
Fax: 040-23302745  
Email: lum\_am\_hyd@bajajelectricals.com

## PATNA

Kashi Place, Dak Bunglow Road, Patna 800 001.  
Phone: 0612-2231427, 2220155, 2225911  
Fax: 0612-2231978, 2231427  
Email: lum\_am\_pat@bajajelectricals.com

## BHUBANESWAR

Kharavela Nagar, Janpath, Bhubaneswar 751 001.  
Phone: 0674-2390697, 2396980, 2394052  
Fax: 0674-2390294  
Email: lum\_am\_bhu@bajajelectricals.com

## INDORE

Commerce House, 3 rd Floor, 7 Race Course Road,  
Indore 452 003, MP.  
Phone: 0731-2548909/10/18  
Fax: 0731-2548911  
Email: lum\_am\_ind@bajajelectricals.com

## PUNE

Maneck Hall, 2, General Thimmayya Road,  
Pune 411 001.  
Phone: 020-26360801, 26361321, 26360703  
Fax: 020-26360698  
Email: lum\_am\_pun@bajajelectricals.com

## CHANDIGARH

SCO 52, Sector-26, Madhya Marg,  
Chandigarh 160 026.  
Phone: 0172-4303211  
Fax: 0172-2792932  
Email: lum\_am\_chd@bajajelectricals.com

## JAIPUR

Raghukamal Niwas, M. I. Road,  
Jaipur 302 001.  
Phone: 0141-2377364, 2369541, 2369542  
Fax: 0141-2374261  
Email: lum\_am\_jai@bajajelectricals.com

## RAIPUR

Bajaj Bhavan, G. E. Road,  
Near Mahaveer Garden, Raipur 492 001.  
Phone: 0771-2263986, 2263976, 4060166  
Fax: 0771-2263310  
Email: lum\_am\_rai@bajajelectricals.com

## CHENNAI

Navin's Presidium, 8th Floor,  
A- Block, Old no.103-A, Nelson Manickam Road,  
Aminjikarai, Chennai 600 029  
Phone: 044-42162200  
Fax: 044-42163300  
Email: lum\_am\_che@bajajelectricals.com

## KOLKATA

10, Ganesh Chandra Avenue,  
Kolkata 700 013.  
Phone: 033-22379270, 22377657, 22216638  
Fax: 033-22259111  
Email: lum\_am\_cal@bajajelectricals.com

## COCHIN

CRL House, 42/1107, Tata Oil Mills Road,  
Cochin 682 018.  
Phone: 0484-2391119, 2396128, 2392039  
Fax: 0484-2391744  
Email: lum\_am\_ccn@bajajelectricals.com

## LUCKNOW

Bajaj Bhavan, 21/32 A, Tilak Marg,  
Lucknow 226 001.  
Phone: 0522-2620595, 2613549  
Fax: 0522-2626513  
Email: lum\_am\_luc@bajajelectricals.com

## LUMINAIRES HEAD OFFICE and R&D OFFICE

15/17, Sant Savta marg, Reay Road,  
Mumbai 400 010.  
Phone: 022-2376 5000  
Fax: 022-2373 0504

## DELHI

1/10, Asaf Ali Road, New Delhi 110 002  
Phone: 011-23236055, 23233056, 23235057  
Fax: 011-23230214  
Email: lum\_am\_del@bajajelectricals.com

## MUMBAI

Harchandrai House, 3rd Floor, 81, Queens Road,  
Marine Lines, Mumbai 400 002.  
Phone: 022-22089091  
Fax: 022-22089193  
Email: lum\_am\_mum@bajajelectricals.com

## HEAD OFFICE

51, Mahatma Gandhi Road,  
Mumbai 400 001.  
Phone: 022-22043780, 22851462, 22875135  
Fax: 022-22828250

## GUWAHATI

Agarwal House, Christian Basti,  
G. S. Road, Guwahati 787 005.  
Phone: 0361-2346497, 2346498, 2346499  
Fax: 0361-2346496  
Email: lum\_am\_guw@bajajelectricals.com

## NAGPUR

2nd Floor, Saraf Court, Opp. Yashwant Stadium,  
Dhantoli, Nagpur.  
Phone: 0712-2440318, 2440319  
Fax: 0712-2420102  
Email: lum\_am\_war@bajajelectricals.com

## REGISTERED OFFICE

45/47, Veer Nariman Road,  
Mumbai 400 001.  
Phone: 022-22043841, 22045046, 22045341  
Fax: 022-22851279



**Bajaj Electricals Ltd.**

*Inspiring Trust*

**LUMINAIRES BUSINESS UNIT**

15/17, Sant Savta Marg, Reay Road, Mumbai 400 010.

Tel.: 022 2376 5000. Fax: 022 23730504

Email: [luminaires@bajajelectricals.com](mailto:luminaires@bajajelectricals.com)

[www.bajajelectricals.com](http://www.bajajelectricals.com)