

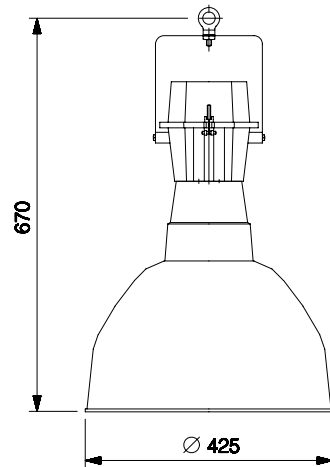


## INDUSTRIAL LIGHTING

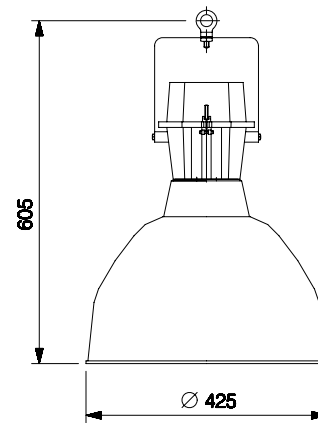
BJHBI 400 SV

BJMBI 400 SV

## Integral Highbay / mediumbay luminaire



BJHBI



BJMBI

Dimensions in mm Tolerance +/-5

## Application

- Airport hangers and warehouses
- Heavy engineering industries
- Thermal power stations
- Railway concourse halls
- Steel plants
- Shopping malls, Departmental stores, Food plaza, etc.

## Features

- Integral decorative pressure die-cast aluminium black textured matt finish powder coated housing and cover.
- Scientifically designed spun aluminium, electrochemically brightened **anodised** reflector for better distribution.
- Eye bolt & antivibration rubber pad are provided for suspension mounting.
- Ease of maintenance.
- Aesthetically appealing to suit any interior.

## Electrical Data

Cat. Ref.	Lamp Type & Wattage (W)	Nominal Voltage (V)	Mains Current in Amps. At 240 V	Capacitor Mfd.	Power Factor
BJHBI 400 SV	HPSV 400	220/240	2.10	42	≥ 0.85
BJMBI 400 SV	HPSV 400	220/240	2.10	42	≥ 0.85

Data subject to variation due to change/improvement in the design, materials and processes.

	DRAWN	VDS	12-12-2008	FOR - Std.
	CHECKED	KS		REV - 0 DATE-12-12-2008
	APPROVED	CRR		DRG. No
	DATA SHEET RELEASED ON DT-			<b>HBI/MBI 400 SV-001</b>
BAJAJ ELECTRICALS LIMITED 15/17, SANT SAVTA MARG, REAY ROAD, MUMBAI-400 010.				* E-mail : <a href="mailto:luminaires@bajajelectricals.com">luminaires@bajajelectricals.com</a>

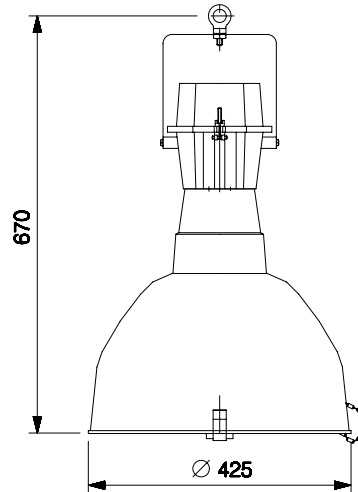


## INDUSTRIAL LIGHTING

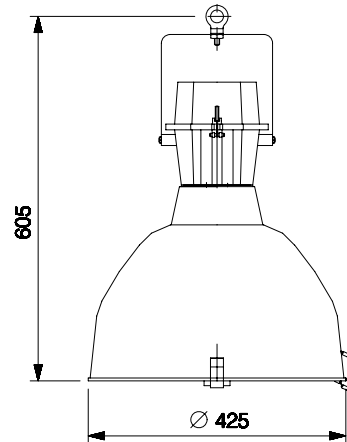
BJMBI 400 SV / MH TE

BJHBI 400 SV / MH TE

Totally Enclosed highbay / mediumbay, integral luminaire



BJHBI



BJMBI

Dimensions in mm Tolerance +/-5

## Application

- Airport hangers and warehouses
- Heavy engineering industries
- Thermal power stations
- Railway concourse halls
- Steel plants
- Shopping malls, Departmental stores, Food plaza, etc.

## Features

- Integral decorative pressure die-cast aluminium black textured matt finish powder coated housing and cover.
- Scientifically designed spun aluminium, Electrochemically brightened **anodised** reflector for better distribution.
- Heat resistant toughened glass cover with synthetic rubber gasket and hinge.
- Eye bolt & antivibration rubber pad are provided for suspension mounting.
- Ease of maintenance.
- Aesthetically appealing to suit any interior.
- Degree of protection : IP 55 (Glass version).

## Electrical Data

Cat. Ref.	Lamp Type & Wattage (W)	Nominal Voltage (V)	Mains Current in Amps. At 240 V	Capacitor Mfd.	Power Factor
BJHBI 400 SV/MH TE	HPSV / MH 400	220/240	2.10	42	≥ 0.85
BJMBI 400 SV/MH TE	HPSV / MH 400	220/240	2.10	42	≥ 0.85

Data subject to variation due to change/improvement in the design, materials and processes.

 <b>BAJAJ LUMINAIRE</b> <i>Making the difference</i>	DRAWN	VDS	12-12-2008	FOR - Std.
	CHECKED	KS		REV - 0 DATE-12-12-2008
	APPROVED	CRR		DRG. No
	DATA SHEET RELEASED ON DT-			<b>HBI 400 SV/MH TE - 001</b>
<b>BAJAJ ELECTRICALS LIMITED</b> 15/17, SANT SAVTA MARG, REAY ROAD, MUMBAI-400 010.				* E-mail : <a href="mailto:luminaires@bajajelectricals.com">luminaires@bajajelectricals.com</a>