

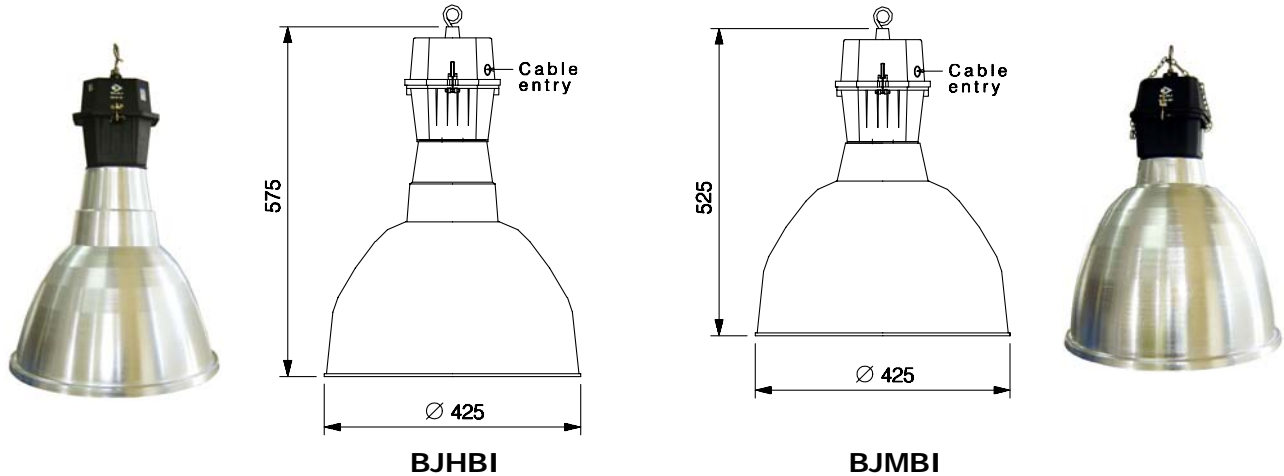


INDUSTRIAL LIGHTING

BJHBI 400 MV / 250 SV

BJMBI 250/400 MV / 150/250 SV

Integral Highbay / mediumbay luminaire



Dimensions in mm Tolerance +/-5

Application

- Airport hangers and warehouses
- Heavy engineering industries
- Thermal power stations
- Railway concourse halls
- Steel plants
- Shopping malls, Departmental stores, Food plaza, etc.

Features

- Integral decorative pressure die-cast aluminium black textured matt finish powder coated housing and cover.
- Scientifically designed spun aluminium, electrochemically brightened **anodised** reflector for better distribution.
- Eye bolt & antivibration rubber pad are provided for suspension mounting.
- Ease of maintenance.
- Aesthetically appealing to suit any interior.

Electrical Data

Cat. Ref.	Lamp Type & Wattage (W)	Nominal Voltage (V)	Mains Current in Amps. At 240 V	Capacitor Mfd.	Power Factor
BJMBI 250 MV	HPMV 250	200/220/240	1.30	15	≥ 0.85
BJHBI/MBI 400 MV	HPMV 400	200/220/240	2.10	20	≥ 0.85
BJMBI 150 SV	HPSV 150	220/240	0.80	20	≥ 0.85
BJHBI/MBI 250 SV	HPSV 250	220/240	1.30	30	≥ 0.85

Data subject to variation due to change/improvement in the design, materials and processes.

<p>BAJAJ LUMINAIRE Making the difference</p>	DRAWN	VDS	10-01-2008	FOR - STD.
	CHECKED	KS		REV - 0 DATE-10-01-2008
	APPROVED	CRR		DRG. No
	DATA SHEET RELEASED ON DT-			HBI/MBI MV/SV-001
BAJAJ ELECTRICALS LIMITED 15/17, SANT SAVTA MARG, REAY ROAD, MUMBAI-400 010.				* E-mail : luminaires@bajajelectricals.com

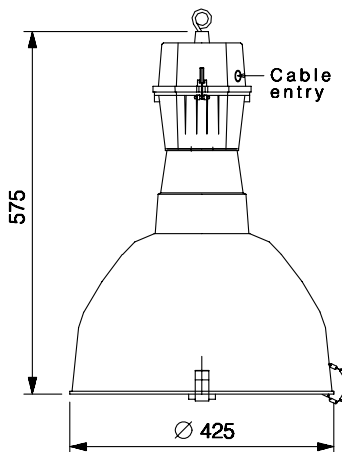


INDUSTRIAL LIGHTING

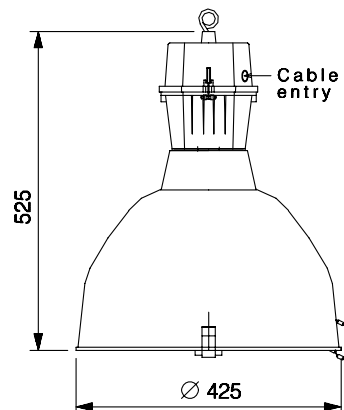
BJMBI 250/400 MV / MMH / 150/250 SV / MH TE

BJHBI 250/400 MV / MMH / 250 SV / MH TE

Totally Enclosed highbay / medumbay, integral luminaire



BJHBI



BJMBI

Dimensions in mm Tolerance +/-5

Application

- Airport hangers and warehouses
- Heavy engineering industries
- Thermal power stations
- Railway concourse halls
- Steel plants
- Shopping malls, Departmental stores, Food plaza, etc.

Features

- Integral decorative pressure die-cast aluminium black textured matt finish powder coated housing and cover.
- Scientifically designed spun aluminium, Electrochemically brightened **anodised** reflector for better distribution.
- Heat resistant toughened glass cover with synthetic rubber gasket and hinge.
- Eye bolt & antivibration rubber pad are provided for suspension mounting.
- Ease of maintenance.
- Aesthetically appealing to suit any interior.
- Degree of protection : IP 55 (Glass version).

Electrical Data

Cat. Ref.	Lamp Type & Wattage (W)	Nominal Voltage (V)	Mains Current in Amps. at 240 V	Capacitor Mfd.	Power Factor
BJHBI/MBI 250 MV TE	HPMV 250	200/220/240	1.30	15	≥ 0.85
BJHBI/MBI 250 MMH TE	MMH 250	200/220/240	1.30	20	≥ 0.85
BJHBI/MBI 400 MV TE	HPMV 400	200/220/240	1.30	20	≥ 0.85
BJHBI/MBI 400 MMH TE	MMH 400	200/220/240	2.10	20	≥ 0.85
BJMBI 150 SV/MH TE	HPSV/MH 150	220/240	0.80	20	≥ 0.85
BJHBI/MBI 250 SV/MH TE	HPSV/MH 250	220/240	1.30	30	≥ 0.85

Data subject to variation due to change/improvement in the design, materials and processes.

<p>BAJAJ LUMINAIRE Making the difference</p>	DRAWN	VDS	04-11-2008	FOR - Std.
	CHECKED	KS		REV - 0 DATE-04-11-2008
	APPROVED	CRR		DRG. No
	DATA SHEET RELEASED ON DT-			HBI MV/MMH/SV/MH TE-001
<p>BAJAJ ELECTRICALS LIMITED 15/17, SANT SAVTA MARG, REAY ROAD, MUMBAI-400 010.</p>				<p>* E-mail : luminaires@bajajelectricals.com</p>