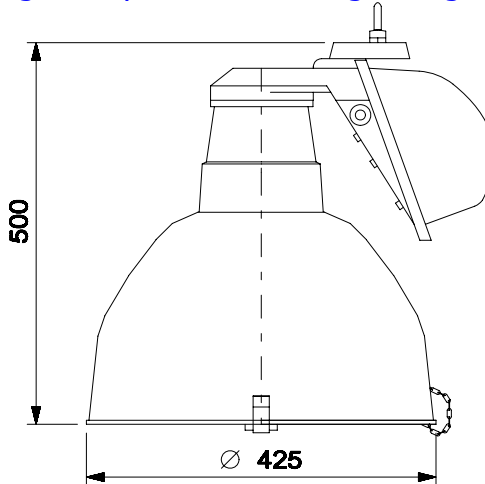




INDUSTRIAL LIGHTING

BJHBIS 400 SV/MH TE

Side mounting totally enclosed Integral Highbay luminaire



NOMINAL DIMENSIONS IN mm Tolerance +/-5

Application

- Airport hangers and warehouses
- Heavy engineering industries
- Thermal power stations
- Railway concourse halls
- Steel plants
- Shopping malls, Departmental stores, Food plaza etc.

Features

- Integral decorative cast aluminium Black textured matt finish powder coated housing with Al. deep drawn cover.
- Scientifically designed spun aluminium, Electro-chemically brightened anodised reflector for better distribution.
- Heat resistant toughened glass cover with hinge.
- Eye bolt suspensions
- Ease of maintenance.
- Replaceable ballast.
- Aesthetically appealing to suit any interior.
- Degree of protection : IP 55 (Glass version)

Electrical Data

Cat. Ref.	Lamp Type & Wattage (W)	Nominal Voltage (V)	Mains Current in Amps. at 240 V	Capacitor Mfd.	Power Factor
BJHBIS 400 SV/MH TE	HPSV/MH 400	220/240	2.10	42	≥ 0.85

Data subject to variation due to change/improvement in the design, materials and processes.

<p>BAJAJ LUMINAIRE Making the difference</p>	DRAWN	VDS	10-01-2008	FOR - Std.
	CHECKED	KS		REV - 0 DATE-10-01-2008
	APPROVED	CRR		DRG. No
	DATA SHEET RELEASED ON DT-			HBIS 11 400 SV TE-001