

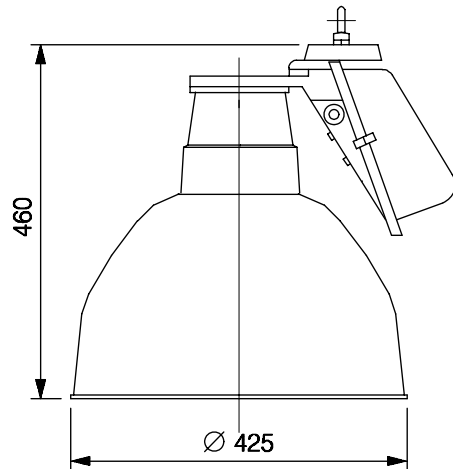


## INDUSTRIAL LIGHTING

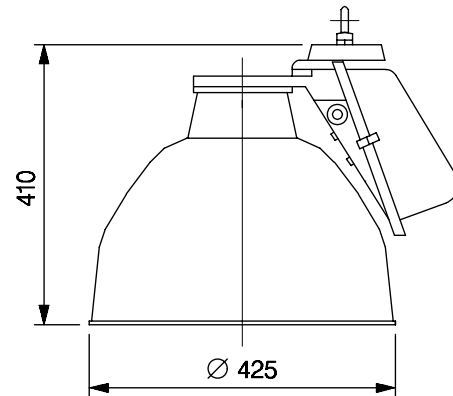
BJMBIS 11 250/400 MV / 150/250 SV

BJHBIS 11 250/400 MV / 150/250 SV

## Side mounting integral Highbay / mediumbay luminaire



BJHBIS



BJMBIS

NOMINAL DIMENSIONS IN mm Tolerance +/-5

## Application

- Airport hangers and warehouses
- Heavy engineering industries
- Thermal power stations
- Railway concourse halls
- Steel plants
- Shopping malls, Departmental stores, Food plaza etc.

## Features

- Integral decorative cast aluminium Black textured matt finish powder coated housing with Al. deep drawn cover.
- Scientifically designed spun aluminium, Electro-chemically brightened anodised reflector for better distribution.
- Eye bolt suspensions
- Ease of maintenance.
- Replaceable ballast.
- Aesthetically appealing to suit any interior.

## Electrical Data

Cat. Ref.	Lamp Type & Wattage (W)	Nominal Voltage (V)	Mains Current in Amps. at 240 V	Capacitor Mfd.	Power Factor
BJHBIS/MBIS 11 250 MV	HPMV 250	200/220/240	1.30	15	≥ 0.85
BJHBIS/MBIS 11 400 MV	HPMV 400	200/220/240	2.10	20	≥ 0.85
BJHBIS/MBIS 11 150 SV	HPSV 150	220/240	0.80	20	≥ 0.85
BJHBIS/MBIS 11 250 SV	HPSV 250	220/240	1.30	30	≥ 0.85

Data subject to variation due to change/improvement in the design, materials and processes.

<p><b>BAJAJ LUMINAIRES</b> Making the difference</p>	DRAWN	VDS	10-01-2008	FOR - Std.
	CHECKED	KS		REV - 0 DATE-10-01-2008
	APPROVED	CRR		DRG. No
	DATA SHEET RELEASED ON DT-			<b>HBIS 11 250 SV - 001</b>
<b>BAJAJ ELECTRICALS LIMITED</b> 15/17, SANT SAVTA MARG, REAY ROAD, MUMBAI-400 010.				* E-mail : <a href="mailto:luminaires@bajajelectricals.com">luminaires@bajajelectricals.com</a>

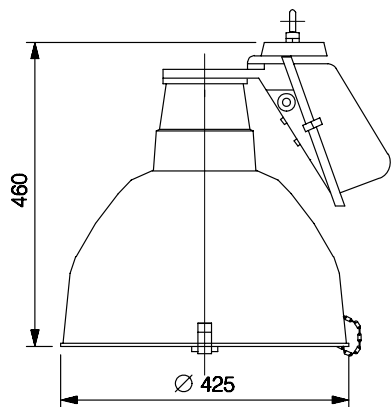


**INDUSTRIAL LIGHTING**

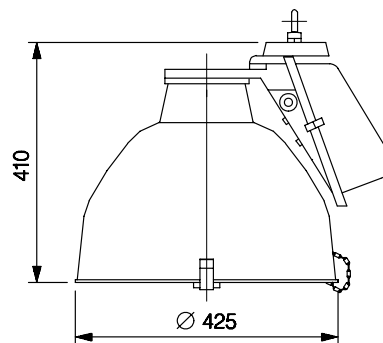
BJMBIS 11 250/400 MV / MMH / 150/250 SV / 250 MH TE

BJHBIS 11 250/400 MV / MMH / 250 SV / MH TE

Side mounting totally enclosed Integral Highbay / mediumbay luminaire



**BJHBIS**



**BJMBIS**

NOMINAL DIMENSIONS IN mm Tolerance +/-5

**Application**

- Airport hangers and warehouses
- Heavy engineering industries
- Thermal power stations
- Railway concourse halls
- Steel plants
- Shopping malls, Departmental stores, Food plaza etc.

**Features**

- Integral decorative cast aluminium Black textured matt finish powder coated housing with Al. deep drawn cover.
- Scientifically designed spun aluminium, Electro-chemically brightened anodised reflector for better distribution.
- Heat resistant toughened glass cover with hinge.
- Eye bolt suspensions
- Ease of maintenance.
- Replaceable ballast.
- Aesthetically appealing to suit any interior.
- Degree of protection : IP 55 (Glass version)

**Electrical Data**

Cat. Ref.	Lamp Type & Wattage (W)	Nominal Voltage (V)	Mains Current in Amps. at 240 V	Capacitor Mfd.	Power Factor
BJHBIS/MBIS 11 250 MV TE	HPMV 250	200/220/240	1.30	15	≥ 0.85
BJHBIS/MBIS 11 250 MMH TE	MMH 250	200/220/240	1.30	15	≥ 0.85
BJHBIS/MBIS 11 400 MV TE	HPMV 400	200/220/240	2.10	20	≥ 0.85
BJHBIS/MBIS 11 400 MMH TE	MMH 400	200/220/240	2.10	20	≥ 0.85
BJMBIS 11 150 SV TE	HPSV 150	220/240	0.80	20	≥ 0.85
BJHBIS/MBI 11 250 SV/MH TE	HPSV/MH250	220/240	1.30	30	≥ 0.85

Data subject to variation due to change/improvement in the design, materials and processes.

<p><b>BAJAJ LUMINAIRE</b> Making the difference</p>	DRAWN	VDS	10-01-2008	FOR - Std.
	CHECKED	KS		REV - 0 DATE-10-01-2008
	APPROVED	CRR		DRG. No
	DATA SHEET RELEASED ON DT-			<b>HBIS 11 250 SV TE-001</b>
<b>BAJAJ ELECTRICALS LIMITED</b> 15/17, SANT SAVTA MARG, REAY ROAD, MUMBAI-400 010.				* E-mail : <a href="mailto:luminaires@bajajelectricals.com">luminaires@bajajelectricals.com</a>