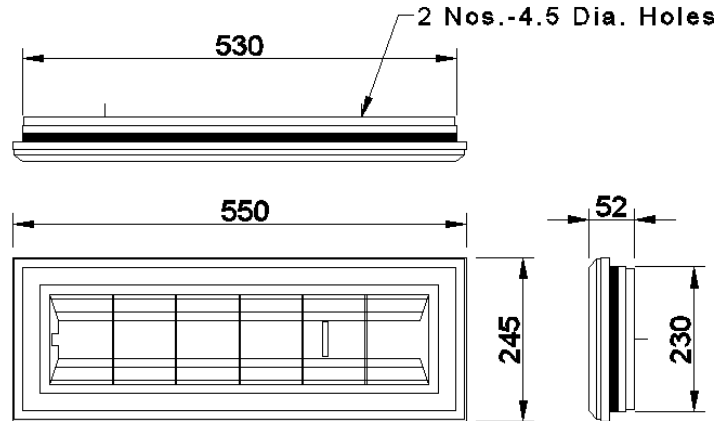




LEGEND

BARM 136 CFL

BARM 136 CFL WEB1



NOMINAL DIMENSIONS IN mm Tolerance +/-5

Application

- Offices,
- Lobbies
- Classrooms,
- Workstations,
- Shopping malls, etc.

Specification

- Extruded aluminium body with superior finish.
- High quality pre-anodised reflector with aluminium cross louvers assembly.
- Reflector/louver assembly press fix to the housing, gets suspended with nylon strings during maintenance.
- Wired with open construction ballast / HF electronic ballast suitable for single 36W CFLs.

Electrical Data

Product Code	Cat. Ref.	Lamp Type & Wattage (W)	Nominal Voltage (V)	Mains Current at 240 V in Amps.	Capacitor Mfd.	Power Factor
162063	BARM 136 CFL	1 x CFL 'L' 36/4P	240	0.21	4.00	≥ 0.90
	BARM 136 CFL WEB1	1 x CFL 'L' 36/4P	240	0.15	--	≥ 0.95

Data subject to variation due to change/improvement in the design, materials and processes.

	DRAWN	KPM	22-12-2008	FOR -
	CHECKED	DVRS		REV - 0 DATE-22-12-2008
	APPROVED	CRR		DRG.No
	DATA SHEET RELEASED ON DT-			ARM 136 CFL - 001
BAJAJ ELECTRICALS LIMITED 15/17, SANT SAVTA MARG, REAY ROAD, MUMBAI-400 010.				* E-mail : luminaires@bajaelectricals.com