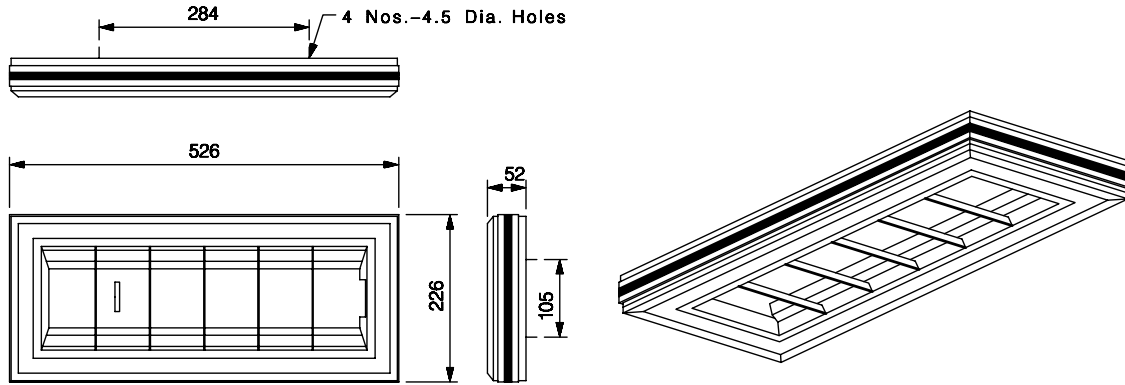




LEGEND
 BASM 136 CFL
 BASM 136 CFL WEB1



NOMINAL DIMENSIONS IN mm Tolerance +/-5

Application

Interior illumination of Commercial complexes, Showrooms, Airport lounges, Computer centers, Banks, Hospitals, Conference halls, Toolrooms, Design offices, Control rooms, Laboratories, Schools and colleges etc.

Specification

The Surface mounting luminaire comprises of a compact Extruded aluminum housing in which all accessories along with open construction ballast are mounted and wiring is terminated on to a terminal block. Excellent optical control is achieved by specially designed mirror system comprising (i) Mirror made of high purity anodised matt finish aluminium sheet, giving a very high light output with wide spread light distribution.

(ii) Aluminium serrated matt anodised transverse fins to control glare.

Reflector assembly is securely held to the main body with click fit arrangement Two nylon strings are provided to suspend the reflector assembly to facilitate easy maintenance and relamping.

Electrical Data

Product Code	Cat. Ref.	Lamp Type & Wattage (W)	Nominal Voltage (V)	Mains Current at 240 V in Amps.	Power Factor
160569	BASM 136 CFL	1 x CFL 'L' 36/4P	240	0.21	≥ 0.95
530761	BASM 136 CFL WEB1	1 x CFL 'L' 36/4P	240	0.15	≥ 0.95

Data subject to variation due to change/improvement in the design, materials and processes.

<p>BAJAJ LUMINAIRES Making the difference</p>	DRAWN	VDS	03-12-2004	FOR – STD.
	CHECKED	DVRS		REV - 1 DATE-24-01-2008
	APPROVED	CRR		DRG.No
	DATA SHEET RELEASED ON DT-			ASM 136 CFL - 001