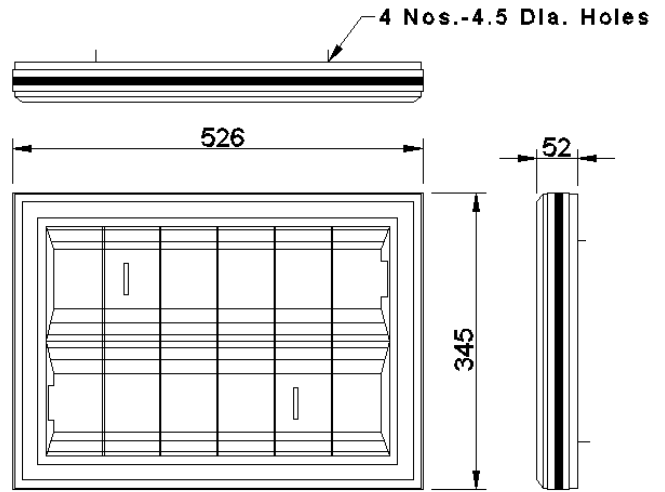




LEGEND

BASM 236 CFL

BASM 236 CFL WEB2



NOMINAL DIMENSIONS IN mm Tolerance +/-5

Application

Interior illumination of Commercial complexes, Showrooms, Airport lounges, Computer centers, Banks, Hospitals, Conference halls, Tool rooms, Design offices, Control rooms, Laboratories, Schools and colleges etc.

Specification

- The Surface mounting luminaire comprises of a compact Extruded aluminum housing in which all accessories along with open construction ballast / electronic ballast are mounted and wiring is terminated on to a terminal block.
- Excellent optical control is achieved by specially designed mirror system comprising
 - (i) Mirror made of high purity anodised matt finish aluminium sheet, giving a very high light out-put with wide spread light distribution.
 - (ii) Aluminium serrated matt anodised transverse fins to control glare.
 Reflector assembly is securely held to the main body with click fit arrangement Two nylon strings are provided to suspend the reflector assembly to facilitate easy maintenance and relamping.

Electrical Data

Cat. Ref.	Lamp Type & Wattage (W)	Nominal Voltage (V)	Mains Current at 240 V in Amps.	Capacitor Mfd.	Power Factor
BASM 236 CFL	2 x CFL 'L' 36/4P	240	0.42	8.00	≥ 0.90
BASM 236 CFL WEB2	2 x CFL 'L' 36/4P	240	0.311	--	≥ 0.95

Data subject to variation due to change/improvement in the design, materials and processes.

<p>BAJAJ LUMINAIRE Making the difference</p>	DRAWN	VDS	03-12-2004	FOR - STD.
	CHECKED	DVRS		REV - 1 DATE-24-01-2008
	APPROVED	CRR		DRG.No
	DATA SHEET RELEASED ON DT-			ASM 236 CFL - 001
BAJAJ ELECTRICALS LIMITED 15/17, SANT SAVTA MARG, REAY ROAD, MUMBAI-400 010.				* E-mail : luminaires@bajajelectricals.com