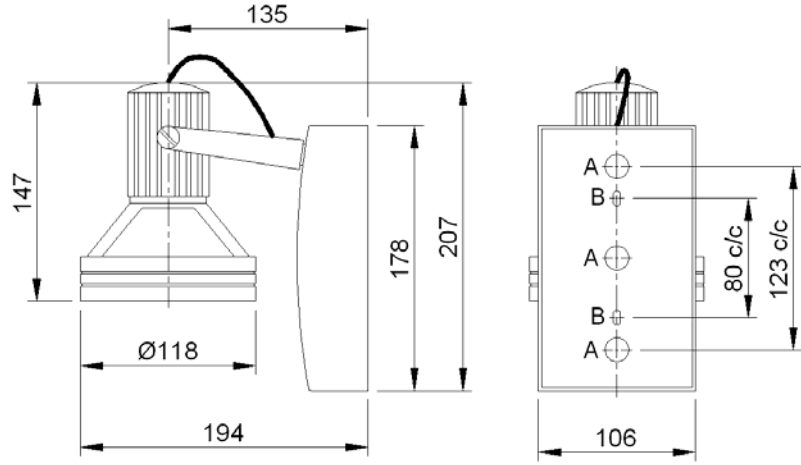




AMBIENCE

**BAJAJ** BASSL 70/150 MT

Indoor decorative integral projector luminaire for CDMT Lamp



A = 3 Nos., Ø16 HOLE  
B = 2 Nos., 5W x 10 Lg. SLOTS

NOMINAL DIMENSIONS IN mm Tolerance +/-5

**Applications**

- Shopping malls
- Retail stores
- Gallery, Museum
- Show windows, etc.

**Features**

- Integral projector luminaire
- Compact aesthetic design
- Easy to install and maintain
- Electrical safety – Class I

**Specification**

- Housing is made of aluminum alloy die-casting. Its surface is treated with electrostatic plastics spraying; reflector is made of high-purity aluminum finish.
- Light fixture and electrical equipment have integrated structure, equipped with gratuated board.
- White powder coated finish
- Suitable for surface mounting
- Suitable for 70/150W CDMT (G12) lamp

**Electrical Data**

Cat. Ref.	Lamp Type & Wattage (W)	Nominal Voltage (V)	Mains Current In Amps. At 240 V	Capacitor Mfd	Power Factor
BASSL 70 MT	CDMT 70	220/240	0.40	10	0.85
BASSL 150 MT	CDMT 150	220/240	0.80	20	0.85

Data subject to variation due to change/improvement in the design, materials and processes.

<p><b>BAJAJ LUMINAIRE</b> Making the difference</p>	DRAWN	KPM	23-08-2007	FOR – STD.
	CHECKED	AR		REV - 0 DATE-23-08-2007
	APPROVED	CRR		DRG.No
	DATA SHEET RELEASED ON DT-			<b>ASSL 70/150 MT - 001</b>
<b>BAJAJ ELECTRICALS LIMITED</b> 15/17, SANT SAVTA MARG, REAY ROAD, MUMBAI-400 010.				* E-mail : <a href="mailto:luminaires@bajajelectricals.com">luminaires@bajajelectricals.com</a>