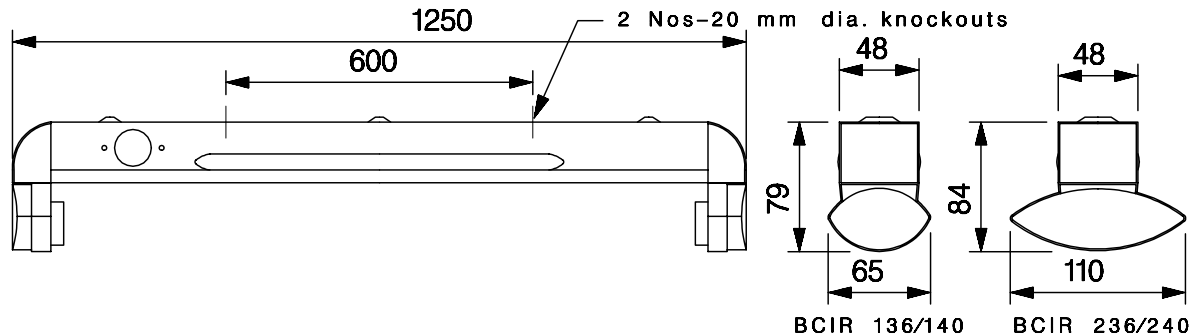




## COMMERCIAL DECORATIVE LIGHTING

BCIR 136/140/236/240

Single / twin fluorescent lamp rail for industrial and commercial/decorative type luminaire



Nominal dimensions in mm Tolerance +/-5

## Applications

- Industrial bays
- Warehouses
- Commercial interiors
- Corridors & passages
- Basement floors, etc.

## Specification

- Polyester **PRE-COATED** galvanized steel housing
- Epoxy white powder coated CRCA sheet steel housing & reflecting cover plate held in position by two screws
- Engg. Plastic end caps
- Accessories for single / twin 36/40 fluorescent lamp(s), prewired upto terminal block.

## Electrical Data

Cat. Ref.	Lamp Type & Wattage (W)	Nominal Voltage (V)	Mains Current in Amps. At 240 V	Capacitor Mfd.	Power Factor
BCIR 136/140	FTL 1x36/40	240	0.22/0.23	4.00	≥ 0.85
BCIR 236/240	FTL 2x36/40	240	0.43/0.45	8.00	≥ 0.90

Data subject to variation due to change/improvement in the design, materials and processes.

	DRAWN	VDS	17-06-2005	FOR -
	CHECKED	DVRS		REV - 0 DATE-17-06-2005
	APPROVED	CRR		DRG.No
	DATA SHEET RELEASED ON DT-			BCIR 140/240 - 001