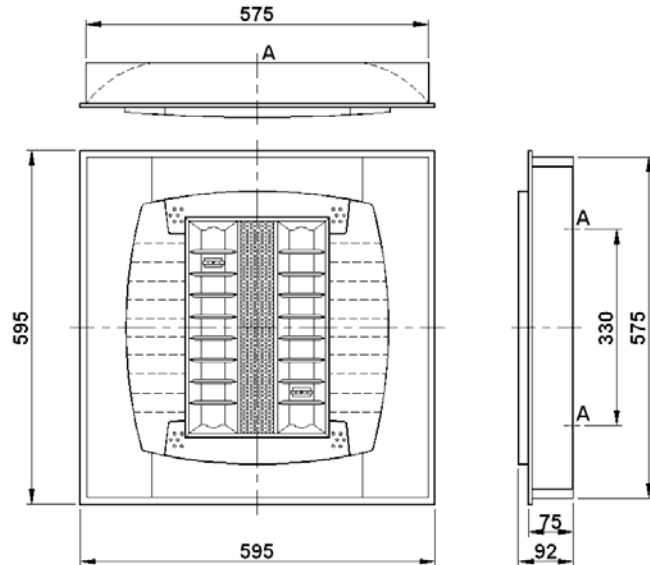




LEGEND

- BCNPA 236 CFL WEB2
- BCNPA 236 CFL LHD

Recess mounted 2 x CFL 36W direct / indirect lighting luminaire



A = 20 DIA KNOCKOUT - 2 Nos.

NOMINAL DIMENSIONS IN mm Tolerance +/-5

Application

- Commercial Complexes, Showrooms,
- Airport lounges, computer centers,
- Banks, Hospitals, Conference Halls,
- Design Offices & Laboratories, etc.

Specification

- The Recess mounting luminaire comprises of CRCA sheet steel housing.
- The luminaire provides glare free indirect light, with 3-D mirror Louver assembly with center perforated panel in the center.
- Two colored Engg. Plastic decorative side plates (Options of clear green, blue & orange), on each side, enhancing the aesthetics of luminaire.
- Luminaire is suitable for twin 36W 'L' Type 4 pin CFL lamps.
- Wired with <30% THD HF electronic ballast for BCNPA 236 CFL WEB2.
- Wired with <10% THD HF electronic ballast for BCNPA 236 CFL LHD.

Finish: Housing - Epoxy white powder coated.

Electrical Data

| Cat. Ref. | Lamp Type & Wattage (W) | Nominal Voltage (V) | Mains Current in Amps. At 240 V | Power Factor |
|-------------------|-------------------------|---------------------|---------------------------------|--------------|
| BCPA 236 CFL WEB2 | 2xCFL 'L' 36/4P | 240 | 0.311 | ≥ 0.95 |
| BCPA 236 CFL LHD | 2xCFL 'L' 36/4P | 240 | 0.303 | ≥ 0.99 |

Data subject to variation due to change/improvement in the design, materials and processes.

| | | | | |
|---|----------------------------|------|------------|-------------------------|
| <p>BAJAJ LUMINAIRE Making the difference</p> | DRAWN | KPM | 31-01-2009 | FOR - |
| | CHECKED | DVRS | | REV - 0 DATE-31-01-2009 |
| | APPROVED | CRR | | DRG.No |
| | DATA SHEET RELEASED ON DT- | | | CNPA 236 CFL WEB2 - 001 |