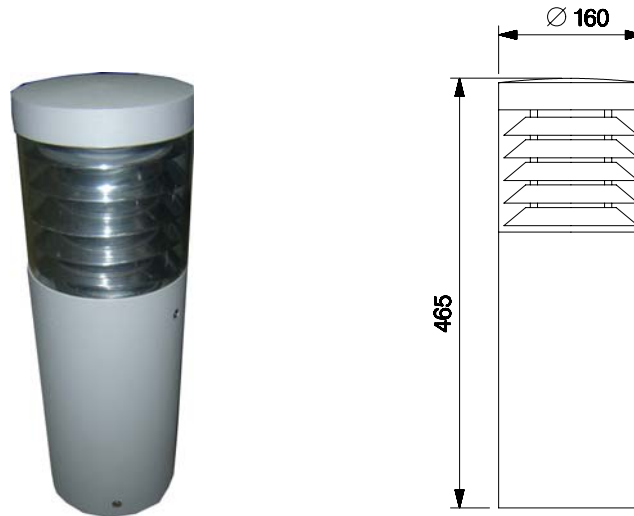




INTEGRAL BOLLARD

BECBL 02 118/126 CFL

Cylindrical shape, integral decorative bollard with clear acrylic for single CFL lamp



Dimensions in mm Tolerance +/-5

Application

Precinct and promenade lighting, security lighting of commercial and residential blocks, etc

Specification

- Cylindrical bollard luminaire is made in 3 parts comprising of
 - (a) Cast aluminium top cover.
 - (b) Cylindrical, clear acrylic diffuser (Matt finish Al. baffles are provided to reduce glare)
 - (c) Aluminium pipe bottom, housing the control gear for 1x18/26W CFL lamp.
- Lamp replacement is by removing the top cover. Aluminium baffles are provided to reduce glare
- Finish: Silver grey powder coated
- Degree of protection: IP 66

Electrical Data

Cat. Ref.	Lamp Type & Wattage (W)	Nominal Voltage (V)	Mains Current in Amps. at 240 V
BECBL 02 118 CFL	1 x CFL 18	240	0.22
BECBL 02 126 CFL	1 x CFL 26	240	0.32

Data subject to variation due to change/improvement in the design, materials and processes.

 BAJAJ LUMINAIRE <i>Making the difference</i>	DRAWN	VDS	31-05-2007	FOR – STD.
	CHECKED	DVRS		REV - 1 DATE-05-02-2008
	APPROVED	CRR		DRG.No
	DATA SHEET RELEASED ON DT-			ECBL 02 118/126 CFL - 001
BAJAJ ELECTRICALS LIMITED 15/17, SANT SAVTA MARG, REAY ROAD, MUMBAI-400 010.				* E-mail : luminaires@bajajelectricals.com