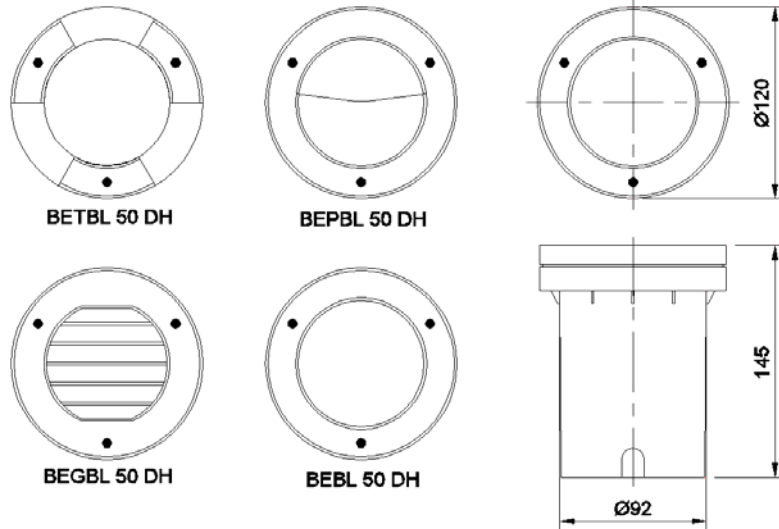




LANDSCAPE LIGHTING

BETBL 50 DH / BEBL 50 DH

BEGBL 50 DH / BEPBL 50 DH



NOMINAL DIMENSIONS IN mm Tolerance +/-5

Features & Benefits

- Recess floor mounted polyster powder coated die-cast aluminium housing ⇒ robust in construction, walk over luminaire.
- Top frame fixed with clear/opal glass fixed to the housing with SS screws ⇒ antiglare diffuse light
- Wired with accessories suitable for 50W DH lamp ⇒ energy efficient & low operating cost

Electrical Data

Cat. Ref.	Lamp Type & Wattage (W)	Lamp Base	Nominal Voltage (V)
BETBL 50 DH	DH 1 x 50W	GZ 10	230
BEGBL 50 DH	DH 1 x 50W	GZ 10	230
BEBL 50 DH	DH 1 x 50W	GZ 10	230
BEPBL 50 DH	DH 1 x 50W	GZ 10	230

Data subject to variation due to change/improvement in the design, materials and processes.

	DRAWN	KPM	05-02-2008	FOR – STD.
	CHECKED	DVRS		REV - 0 DATE-05-02-2008
	APPROVED	CRR		DRG.No
	DATA SHEET RELEASED ON DT-			BETBL 50 DH-001
BAJAJ ELECTRICALS LIMITED 15/17, SANT SAVTA MARG, REAY ROAD, MUMBAI-400 010.				* E-mail : luminaires@bajajelectricals.com