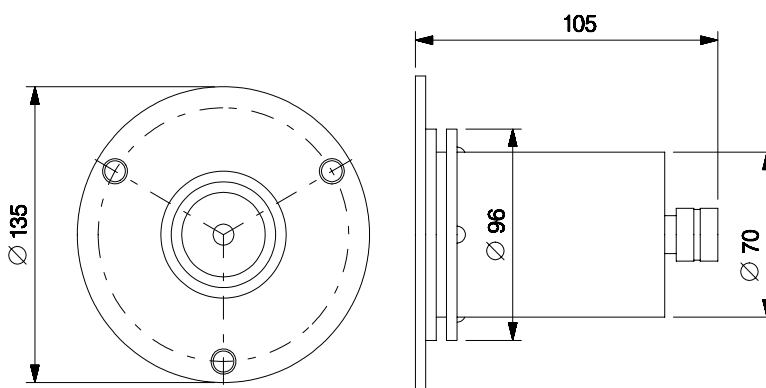




UNDERWATER LUMINAIRE

BEUWL 150 DH



NOMINAL DIMENSIONS IN mm Tolerance +/-5

Application

This underwater luminaire is suitable for Swimming pools, Fountains, and in areas where underwater light luminaire applications are recommended.

Specification

- Housing of this luminaire is made from gun metal and is plated to have better corrosive resistance property.
- Rubber gasket is provided between the housing and the toughened glass to ensure protection against water entry.
- Cable gland is provided.
- This underwater luminaire when submerged in water, the water head should not exceed 0.6 meter or 2 ft. approx...
- Degree of protection: IP 67

Note : Use Separate 230/12V Transformer for operating 50W 12V Dichroic lamp.

Electrical Data

Cat. Ref.	Lamp Type & Wattage (W)	Nominal Voltage (V)
BEUWL 150 DH	DICHROIC 50	230/12V

- THESE LUMINAIRE ARE ALSO SUITABLE WITH LED LAMP

Data subject to variation due to change/improvement in the design, materials and processes.

<p>BAJAJ LUMINAIRE Making the difference</p>	DRAWN	VDS	09-06-2006	FOR – STD.
	CHECKED	DVRS		REV - 1 DATE-05-02-2008
	APPROVED	CRR		DRG.No
	DATA SHEET RELEASED ON DT-			UWL 150 DH - 001
BAJAJ ELECTRICALS LIMITED 15/17, SANT SAVTA MARG, REAY ROAD, MUMBAI-400 010.				* E-mail : luminaires@bajajelectricals.com