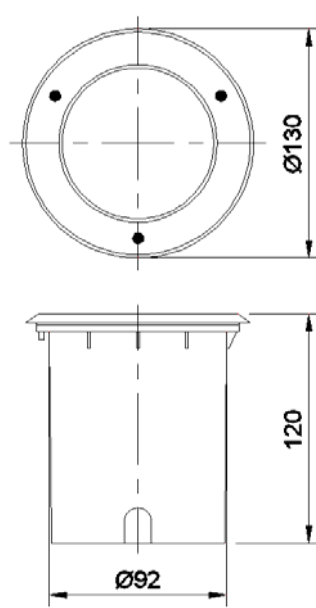




LANDSCAPE LIGHTING

BAJAJ BEWOL 50 DH SS



NOMINAL DIMENSIONS IN mm Tolerance +/-5

Features & Benefits

- Recess floor mounted polyester powder coated die-cast aluminium housing ⇒ robust in construction, walk over luminaire.
- Stainless steel top frame fixed with opal glass fixed to the housing with SS screws ⇒ antiglare diffuse light
- Use separate control gear to stepdown the voltage suitable for 50W DH lamp ⇒ energy efficient & low operating cost

Electrical Data

Cat. Ref.	Lamp Type & Wattage (W)	Lamp Base	Nominal Voltage (V)
BEWOL 50 DH SS	DH 1 x 50W	GU 5, 3	12

Data subject to variation due to change/improvement in the design, materials and processes.

	DRAWN	KPM	05-02-2008	FOR – STD.
	CHECKED	DVRS		REV - 0 DATE-05-02-2008
	APPROVED	CRR		DRG.No
	DATA SHEET RELEASED ON DT-			BEWOL 50 DH SS-001
BAJAJ ELECTRICALS LIMITED 15/17, SANT SAVTA MARG, REAY ROAD, MUMBAI-400 010.				* E-mail : luminaires@bajajelectricals.com