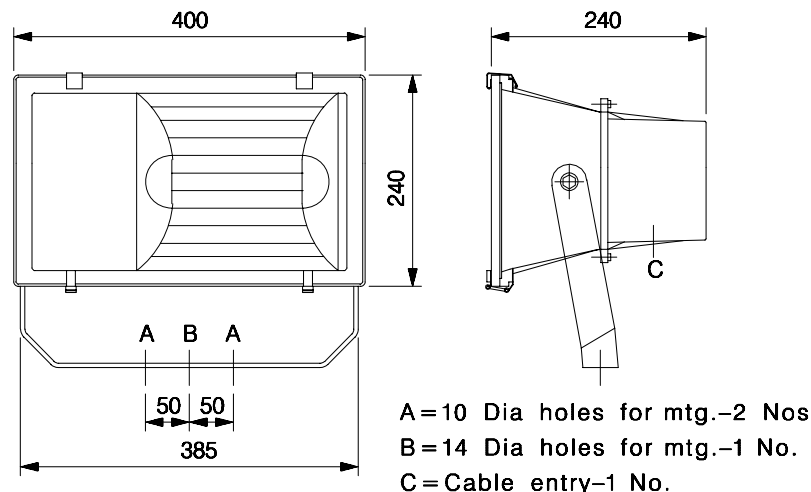




AREA LIGHTING

BGEMFS 250/400 SV/MH T

Asymmetrical beam, integral, compact floodlight luminaire for HID lamp



Nominal dimensions in mm Tolerance +/-5 (Except mtg. Hole)

Applications

- Pedestrian crossings
- Walkways and pathways
- Building & monuments
- Hoardings and sign boards
- Security lighting, etc.

Specification

- Epoxy grey powder coated, die-cast aluminium housing with control gear accessories for 250/400 SV/MH-T lamp in the rear side
- Electrochemically brightened, polished, faceted **GLASKOTE™** aluminium reflector
- Heat resistant, clear toughened glass cover in the front with hinged and silicon rubber gasket
- GES (E40) lamp holders prewired upto the terminal block
- Epoxy grey powder coated MS mounting bracket, graduated aiming disc and locking facility at any angle in the vertical plane
- Degree of protection : IP 55

Electrical Data

Cat. Ref.	Lamp Type & Wattage (W)	Nominal Voltage (V)	Mains Current in Amps. at 240 V	Capacitor Mfd.	Power Factor
BGEMFS 250 SV/MH	HPSV/MH T 250	220/240	1.30	30	≥ 0.85
BGEMFS 400 SV/MH	HPSV/MH T 400	220/240	2.10	42	≥ 0.85

Data subject to variation due to change/improvement in the design, materials and processes.

<p>BAJAJ LUMINAIRE Making the difference</p>	DRAWN	VDS	07-10-2006	FOR -
	CHECKED	KS		REV - 0 DATE-10-01-2008
	APPROVED	CRR		DRG. No
	DATA SHEET RELEASED ON DT-			EMFS 400SV/MH-001
BAJAJ ELECTRICALS LIMITED 15/17, SANT SAVTA MARG, REAY ROAD, MUMBAI-400 010.				* E-mail : luminaires@bajajelectricals.com