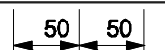
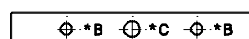
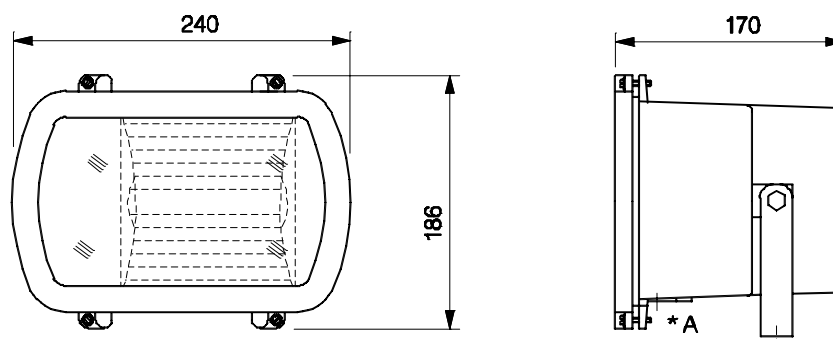




AREA LIGHTING INTEGRAL MINI FLOODLIGHT

BGEMF 70 SV/MH SE



MTG. DIMENSIONS

*A - 19 mm DIA ET CABLE ENTRY

*B - 9 DIA HOLE FOR MTG. (2 Nos.)

*C - 12 DIA HOLE FOR MTG. (1 No.)

NOMINAL DIMENSIONS IN mm Tolerance +/-5 (Except mtg. Hole)

Application

Integral type mini floodlight luminaire, designed for elliptical/tubular HID lamps. Recommended for security lighting, hoardings, highlighting profiles, pedestrian crossing, construction sites, walkways, pathways, etc.

Specification

- The compact heavy duty mini floodlight consists of die cast aluminium housing.
- The front side accommodates the lamp and back portion, the control gear.
- A heat resistant toughened clear glass cover is fitted in the front with silicon rubber gasket to make the luminaire dust and weatherproof.
- Optical control is achieved by high purity brightened, polished and faceted aluminium reflector with GLASKOTE™ finish.
- The control gear comprising copper wound polyester filled ballast, a power factor improvement capacitor, an electronic ignitor, a lamp holder, is wired upto the mains connector block.
- Suitable for 70W HPSV/MH lamp.
- The luminaire is provided with MS mounting bracket and can be fixed at any angle in the vertical plane.
- Re-lamping is from the front. (19mm dia. ET Cable entry)
- Finish: Powder coated epoxy grey.
- Degree of protection : IP 55

Electrical Data

Cat. Ref.	Lamp Type & Wattage (W)	Nominal Voltage (V)	Mains Current in Amps. at 240 V	Capacitor Mfd.	Power Factor
BGEMF 70 SV/MH SE	HPSV/MH 70	220/240	0.40	10	0.85

Data subject to variation due to change/improvement in the design, materials and processes.

<p>BAJAJ LUMINAIRE Making the difference</p>	DRAWN	VDS	08-12-2004	FOR -
	CHECKED	NPD		REV - 0 DATE-08-12-2004
	APPROVED	CRR		DRG.No
	DATA SHEET RELEASED ON DT-			EMF 70 SV - 001