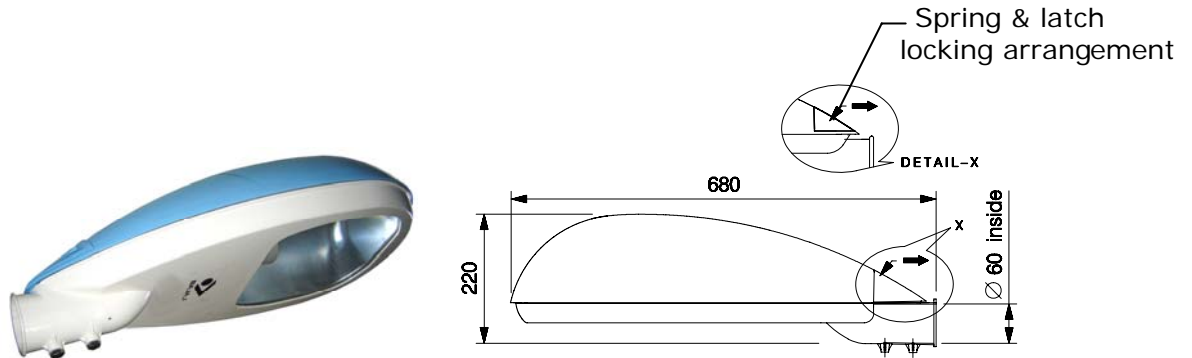




ROADWAY LIGHTING

BAJAJ BGJRL 150 SV/MH FFG

JET



Max. width - 310

NOMINAL DIMENSIONS IN mm Tolerance +/-5

Applications

- Highway, Main roads
- Multi-level junctions, Traffic roundabouts, Civic centres etc.

Specifications

- Epoxy cream powder coated die-cast aluminium bottom frame and cool blue powder coated top cover.
- Totally sealed lamp compartment with electrochemically brightened, polished and **GLASKOTE™** finish computer aided pot optic aluminium reflector.
- Heat resistant toughened clear glass. / Curved glass can be provided on request.
- Synthetic rubber gasket.
- Control gear suitable for 150/250 SV/MH lamp, GES (E-40) lamp holder prewired upto the terminal block.
- Side entry mounting suitable for 40 to 50 mm OD pipe bracket.
- Spring and latch locking arrangement for fixing the cover with frame.
- Maintenance from top. Top cover to be open by pulling the spring latch for lamp & accessories maintenance.
- Degree of protection: IP 66 Lamp compartment
- Degree of protection: IP 54 Control gear compartment

Electrical Data

Product code no.	Cat. Ref.	Lamp Type & Wattage (W)	Nominal Voltage (V)	Mains Current in Amps. At 240 V	Capacitor Mfd.	Power Factor
180432	BGJRL 150 SV FFG	HPSV-T 150	220/240	0.80	20	≥ 0.85
180447	BGJRL 150 MH FFG	MH-T 150	220/240	0.80	20	≥ 0.85

Data subject to variation due to change/improvement in the design, materials and processes.

<p>BAJAJ LUMINAIRES Making the difference</p>	DRAWN	VDS	27-05-2008	FOR – Std.
	CHECKED	KS		REV - 0 DATE-27-05-2008
	APPROVED	CRR		DRG. No
	DATA SHEET RELEASED ON DT-8 Oct.-08			JRL 150/250SV/MH FFG-001
BAJAJ ELECTRICALS LIMITED 15/17, SANT SAVTA MARG, REAY ROAD, MUMBAI-400 010.				* E-mail : luminaires@bajajelectricals.com