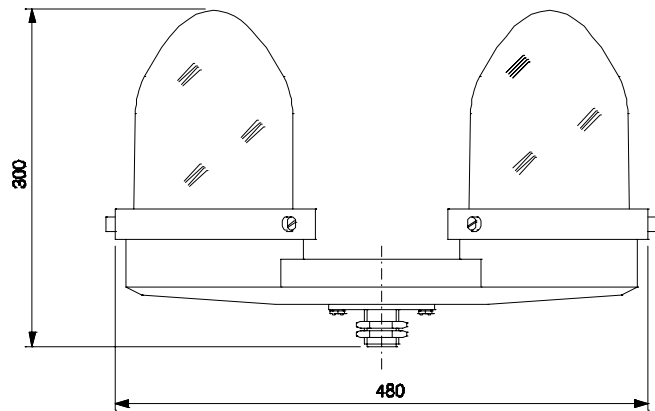




AREA LIGHTING

**BAJAJ** BJAOL 2

Aviation obstruction light with twin 100W GLS lamps



NOMINAL DIMENSIONS IN mm Tolerance +/- 5 mm

**Applications**

- Radio and television towers
- Microwave transmission towers
- Chimneys
- High rise structures in the vicinity of airports
- On top of the hills, etc

**Specifications**

- Aviation yellow painted die-cast aluminium alloy housing for two nos.100W GLS lamps
- ES/BC lamp holders prewired upto the terminal block
- Red coloured polycarbonate dome secured to housing by 3 nos. screws
- 38 mm dia. Threaded stem with lock nuts for mounting on pipe above structures
- Degree of protection : IP 54

**ELECTRICAL DATA**

Cat. Ref.	Lamp Type & Wattage (W)	Nominal Voltage (V)	Mains Current In Amps. At 240 V	Power Factor
BJAOL 2	2 x GLS 100	240	0.83	UNITY

Data subject to variation due to change/improvement in the design, materials and processes.

<p><b>BAJAJ LUMINAIRES</b> Making the difference</p>	DRAWN	VDS	31-01-2003	FOR – Std.
	CHECKED	dvrS		REV - 0 DATE-24-01-2008
	APPROVED	CRR		DRG.No
	DATA SHEET RELEASED ON DT-			<b>AOL 2 - 001</b>
<b>BAJAJ ELECTRICALS LIMITED</b> 15/17, SANT SAVTA MARG, REAY ROAD, MUMBAI-400 010.				* E-mail : <a href="mailto:luminaires@bajajelectricals.com">luminaires@bajajelectricals.com</a>