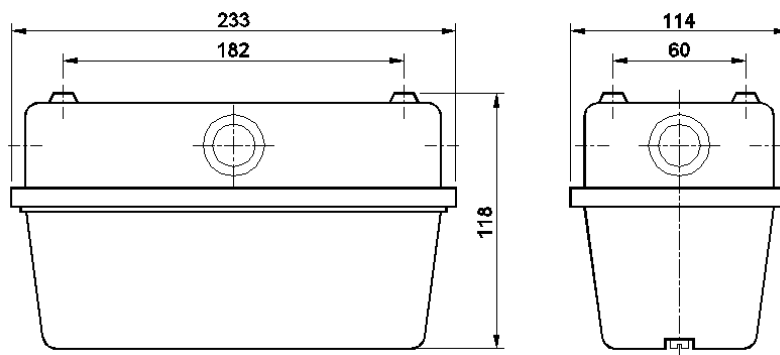




DECORATIVE LIGHTING

BAJAJ

BJBE 19



NOMINAL DIMENSIONS IN mm Tolerance +/-5

Application

Especially suitable for places where continuous light is required like passages in hospitals, hotels, commercial complexes, balconies, stair cases, hotel lobby, porches, etc.

Specification

- The luminaire comprises of a deep drawn aluminium anodised body, fitted with CFL lamp holder, Electromagnetic ballast etc. on a detachable tray and covered with heat resistant prismatic glass cover with a weather proof gasket.
- Complete with magnetic control gear and suitable for semi outdoor application.
- It is suitable for 1 x 9 W CFL lamp.
- Finish: Housing - White powder coated.

Electrical Data

Cat. Ref.	Lamp Type & Wattage (W)	Lamp Holder	Nominal Voltage (V)	Mains Current in Amps. at 240 V
BJBE 19	CFL'S' 1x9	G 23	240	0.175

Data subject to variation due to change/improvement in the design, materials and processes.

<p>BAJAJ LUMINAIRES Making the difference</p>	DRAWN	VDS	18-11-2003	FOR – STD.
	CHECKED	DVRS	18-11-2003	REV - 0 DATE-18-11-2003
	APPROVED	CRR	18-11-2003	DRG.No
	DATA SHEET RELEASED ON DT-			BE 19 - 001
BAJAJ ELECTRICALS LIMITED 15/17, SANT SAVTA MARG, REAY ROAD, MUMBAI-400 010.				* E-mail : luminaires@bajajelectricals.com