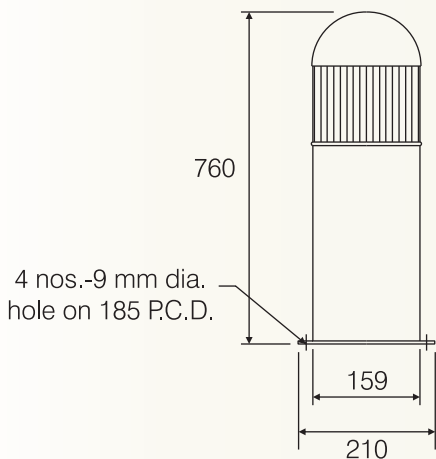




Urban Architecture Lighting

GREEN - Decorative Roadway Lighting Luminaire

BJBOL 03 29/213/218



BJBOL 03 29/213/218

Renaissance - Bollard

Applications

Pathways, Townships and Gardens.

Specification

Integral bollard comprises of green painted seamless cylindrical shape housing, cast aluminium dome shape top cover, fixed with cylindrical shape needed poly carbonate cover.

Twin G-23 lamp holder for 9/13W CFL lamp, G-24 d-2 lamp holder for 18W CFL lamp, open construction ballast are wired up to the terminal block.

Base plate and fixing holes for direct mounting.

Ingress protection : IP 43

Note: Green colour version available on request.

- Due to continuous efforts in developing products, improvement- Bajaj Electricals Limited reserves the right to make changes in the design and data and withdraw the luminaires without any prior notice.
- All product and installations are indicative.
- Technical information mention in this booklet is pre-released only.

Data subject to change due to improvement in the design, materials and processes. Variations in dimensions + 3mm

 **BAJAJ LUMINAIRE**
Making the difference

LUMINAIRE BUSINESS UNIT

15/17, Sant Savta Marg, Reay Road, Mumbai - 400 010.

Tel. : 23765000 Fax : 022-23730504

E-mail: luminaires@bajajelectricals.com

Website: www.bajajelectricals.com