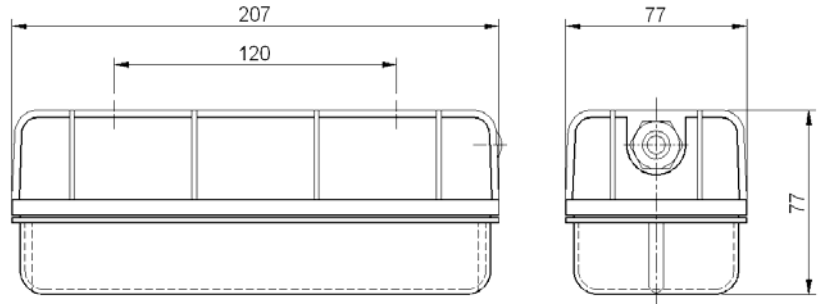




## CFL BULKHEAD LUMINAIRE "PEARL"

BJCB 19 WEB



NOMINAL DIMENSIONS IN mm Tolerance +/-5

### Application

Specially suitable for places where continuous light is required like

- Passages in hospitals & hotel lobby,
- Commercial complexes,
- Balconies & stair cases,
- Porches, etc.

### Specification

- This CFL lamp bulkhead Luminaire comprises of housing made of ABS and cover made of polycarbonate.
- Clear polycarbonate cover is fixed to the housing by screws.
- CRCA gear tray cum reflector is finished in white powder coating.
- Engg. Plastic gland provided for cable entry.
- Completely prewired with accessories up to terminal block.
- Luminaire is suitable for single 9W CFL lamp.
- Wired with <30% THD plastic housing HF electronic ballast.
- Finish: Housing white.
- Degree of protection: IP 54

**Note:** - This luminaire can be offered with the above mentioned HF ballast only.

### Electrical Data

Cat. Ref.	Lamp Type & Wattage (W)	Nominal Voltage (V)	Mains Current in Amps. at 240 V	Power Factor
BJCB 19 WEB	1 x CFL 9W	240	0.06	≥ 0.90

Data subject to variation due to change/improvement in the design, materials and processes.

<p><b>BAJAJ LUMINAIRES</b> Making the difference</p>	DRAWN	KPM	23-01-2009	FOR -
	CHECKED	DVRS		REV - 0 DATE-23-01-2009
	APPROVED	CRR		DRG.No
	DATA SHEET RELEASED ON DT-			<b>BJCB 19 WEB - 001</b>
<b>BAJAJ ELECTRICALS LIMITED</b> 15/17, SANT SAVTA MARG, REAY ROAD, MUMBAI-400 010.				* E-mail : <a href="mailto:luminaires@bajajelectricals.com">luminaires@bajajelectricals.com</a>