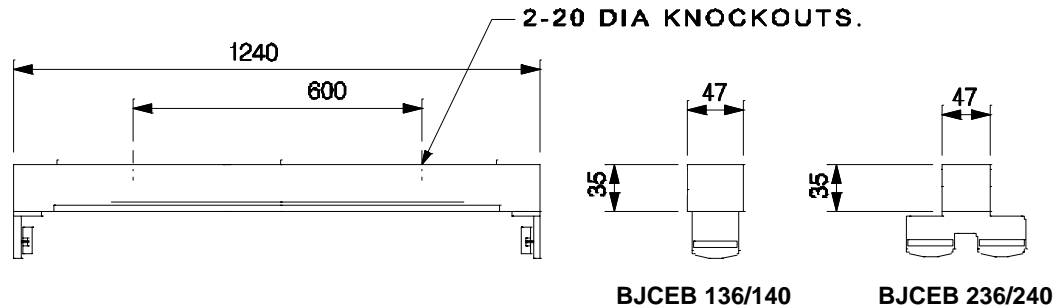




LEGEND

BAJAJ BJCEB 136/140/236/240

Surface / pendent mounting, single/twin fluorescent lamp commercial/decorative type luminaire



NOMINAL DIMENSIONS IN mm Tolerance +/-5

Application

- Warehouses
- Commercial interiors
- Corridors & passages
- Basement floors
- Residential premises, etc

Specification

- Inside & outside munshell grey CRCA sheet steel housing (channel)
- Broken white powder coating reflecting CRCA sheet steel cover plate
- Wired with open construction ballast suitable for single/twin 36/40W FTL
- Suitable for direct mounting on surface or suspension mounting by 20mm conduit
- Suitable for residential / commercial purposes.

Electrical Data

Cat. Ref.	Lamp Type & Wattage (W)	Nominal Voltage (V)	Mains Current in Amps. At 230 V
BJCEB 136/140	1 x FTL 36/40W	230	0.38
BJCEB 236/240	2 x FTL 36/40W	230	0.76

Data subject to variation due to change/improvement in the design, materials and processes.

<p>BAJAJ LUMINAIRES Making the difference</p>	DRAWN	KPM	07-10-2006	FOR – STD.
	CHECKED	DVRS		REV - 1 DATE--07-02-2009
	APPROVED	CRR		DRG.No
	DATA SHEET RELEASED ON DT-			CEB 136/140/236/240 - 001
<p>BAJAJ ELECTRICALS LIMITED 15/17, SANT SAVTA MARG, REAY ROAD, MUMBAI-400 010.</p>				<p>* E-mail : luminaires@bajajelectricals.com</p>