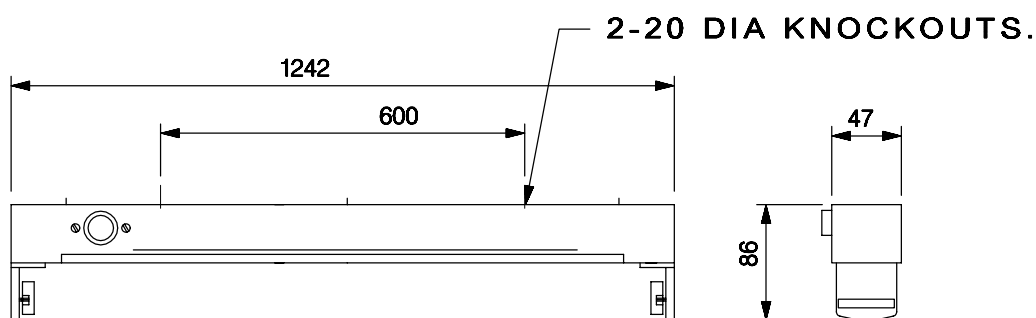
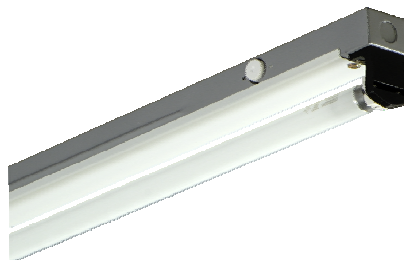




LEGEND

BAJAJ BJCEB 136/140 LPF

Surface / pendent mounting, single fluorescent lamp commercial/decorative type luminaire



NOMINAL DIMENSIONS IN mm Tolerance +/-5

Application

- Warehouses
- Commercial interiors
- Corridors & passages
- Basement floors
- Residential premises, etc

Specification

- Inside & outside munshell grey CRCA sheet steel housing (channel)
- Broken white powder coating reflecting CRCA sheet steel cover plate
- Wired with open construction (BCCB) ballast suitable for single 36/40W FTL
- Suitable for direct mounting on surface or suspension mounting by 20mm conduit
- Suitable for residential / commercial purposes.

Electrical Data

Product Code	Cat. Ref.	Lamp Type & Wattage (W)	Nominal Voltage (V)	Mains Current at 230 V in Amps. (Max.)
162004	BJCEB 136/140 LPF	FTL 1x36/40	230	0.38

Data subject to variation due to change/improvement in the design, materials and processes.

<p>BAJAJ LUMINAIRES Making the difference</p>	DRAWN	VDS	07-10-2006	FOR – STD.
	CHECKED	DVRS		REV - 1 DATE-24-01-2008
	APPROVED	CRR		DRG.No
	DATA SHEET RELEASED ON DT- OCT.2006			CEB 136/140 - 001
BAJAJ ELECTRICALS LIMITED 15/17, SANT SAVTA MARG, REAY ROAD, MUMBAI-400 010.				* E-mail : luminaires@bajajelectricals.com