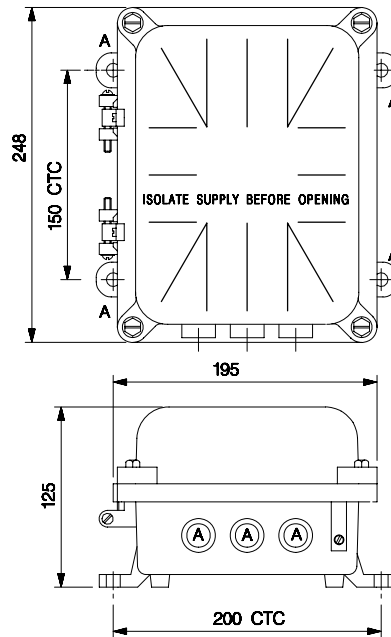




CAST ALUMINIUM C. G. BOX

BJCGB 400 MV CA

BJCGB 250/400 SV/MH CA



A - 10 DIA HOLE FOR MTG. (4 Nos.)
 C - 19 mm E.T. CABLE ENTRY (3 Nos.)

Dimensions in mm Tolerance +/-5 (Except mtg. Hole)

Application

For all non-integral HID luminaires:

- Industrial lighting
- Area lighting
- Façade lighting, etc.

Specifications

- Epoxy grey powder coated, pressure die-cast aluminium box and hinged cover with EPDM rubber gasket
- Fitted with copper ballasts, capacitor, electronic ignitor suitable for 400 HPMV / 250/400 HPSV/MH lamp
- Porcelain rewirable fuse cut-out and earthing terminal
- Prewired with PVC insulated copper wires upto the terminal block
- 3 Nos. cable entry provided for loop-in loop-out arrangement
- Degree of protection : IP 55

Electrical Data

Cat. Ref.	Lamp Type & Wattage (W)	Nominal Voltage (V)	Mains Current in Amps. at 240 V	Capacitor Mfd.	Power Factor
BJCGB 400 MV CA	HPMV 400	200/220/240	2.10	20	≥ 0.85
BJCGB 250 SV/MH CA	HPSV/MH 250	220/240	1.30	30	≥ 0.85
BJCGB 400 SV/MH CA	HPSV/MH 400	220/240	2.10	40	≥ 0.85

Data subject to variation due to change/improvement in the design, materials and processes.

<p>BAJAJ LUMINAIRES Making the difference</p>	DRAWN	VDS	26-10-2004	FOR – std.
	CHECKED	KS		REV - 0 DATE-01-02-2008
	APPROVED	CRR		DRG. No
	DATA SHEET RELEASED ON DT-OCT.-2004			CGB 250/400 CA-001
BAJAJ ELECTRICALS LIMITED 15/17, SANT SAVTA MARG, REAY ROAD, MUMBAI-400 010.				* E-mail : luminaires@bajajelectricals.com