

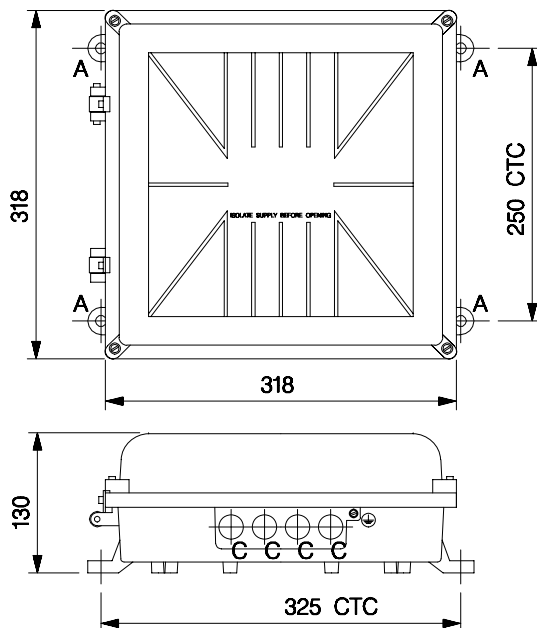


ACCESSORIES

BJCGB 2x250/400 MV CA

BJCGB 2x150 SV / 250/400 SV/MH CA

Cast aluminium , weatherproof, heavy duty, control gear box for twin HID lamp



- A - 10 DIA HOLE FOR MTG. (4 Nos.)
- C - 19 mm E.T. CABLE ENTRY (4 Nos.)

Dimensions in mm Tolerance +/-5 (Expect mtg. Hole)

Application
 For use in all non-integral flood light HID luminaires:
 • Industrial lighting
 • Area lighting
 • Facade lighting, etc.

Specifications

- Epoxy grey powder coated die-cast aluminium box and hinged cover with rubber gasket
- Fitted with copper ballasts, capacitor, electronic ignitor suitable for twin 250/400 HPMV / 150 HPSV / 250/400 HPSV/MH lamps
- Porcelain rewirable fuse cutout and earthing terminal
- Prewired with PVC insulated copper wires upto the terminal block
- 4 nos. 19 mm dia. ET cable entries
- Loop-in-loop-out facility
- Degree of protection : IP 55

Electrical Data

Cat. Ref.	Lamp Type & Wattage (W)	Nominal Voltage (V)	Mains Current in Amps. at 240 V	Capacitor Mfd.	Power Factor
BJCGB 2x250 MV CA	2xHPMV 250	200/220/240	2.60	2x15	≥ 0.85
BJCGB 2x400 MV CA	2xHPMV 400	200/220/240	4.20	2x20	≥ 0.85
BJCGB 2x150 SV CA	2xHPSV 150	220/240	1.60	2x20	≥ 0.85
BJCGB 2x250 SV/MH CA	2XHPSV/MH 250	220/240	2.60	2x30	≥ 0.85
BJCGB 2x400 SV/MH CA	2XHPSV/MH 400	220/240	4.20	2x42	≥ 0.85

Data subject to variation due to change/improvement in the design, materials and processes.

<p>BAJAJ LUMINAIRE Making the difference</p>	DRAWN	VDS	12-06-2003	FOR -
	CHECKED	KS		REV - 0 DATE-01-02-2008
	APPROVED	CRR		DRG. No
	DATA SHEET RELEASED ON DT-OCT.-2004			CGB 2xMVSV/MH CA-001
BAJAJ ELECTRICALS LIMITED 15/17, SANT SAVTA MARG, REAY ROAD, MUMBAI-400 010.				* E-mail : luminaires@bajajelectricals.com