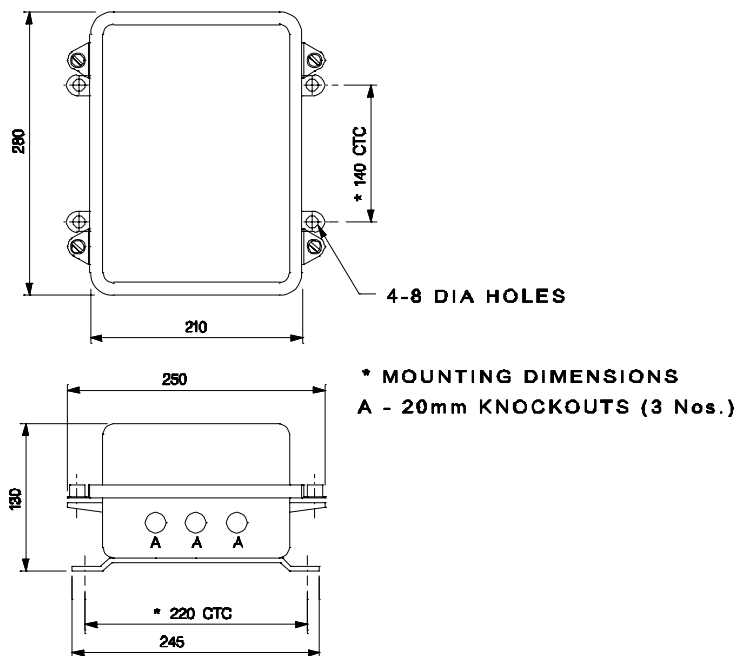




ACCESSORIES - DEEP DRAWN CG BOX

BJCG 250/400 MV DD

BJCG 150/250/400 SV/MH DD



Nominal dimensions in mm Tolerance +/-5

Application

For all non-integral HID luminaires:

- Industrial lighting
- Area lighting
- Façade lighting, etc.

Specification

- Epoxy grey powder coated, deep drawn CRCA steel sheet with hinged cover with rubber gasket
- Fitted with copper ballasts, capacitor, ignitor suitable for 250/400 HPMV / 150/250/400 HPSV/MH lamp
- Rewireable fuse cut-out and earthing terminal
- Prewired with PVC insulated copper wires upto the terminal block
- 3 Nos. cable entry provided for loop-in loop-out arrangement
- Degree of protection : IP 55

Note: The distance between non integral luminaire and C.G.Box should be less than 10 meters.

Electrical Data

Cat. Ref.	Lamp Type & Wattage (W)	Nominal Voltage (V)	Mains Current in Amps. At 240 V	Capacitor Mfd	Power Factor
BJCG 250 MV DD	HPMV 250	200/220/240	1.30	30	≥ 0.85
BJCG 400 MV DD	HPMV 400	200/220/240	2.10	42	≥ 0.85
BJCG 150 SV/MH DD	HPSV/MH 150	220/240	0.80	20	≥ 0.85
BJCG 250 SV/MH DD	HPSV/MH 250	220/240	1.30	30	≥ 0.85
BJCG 400 SV/MH DD	HPSV/MH 400	220/240	2.10	42	≥ 0.85

Data subject to variation due to change/improvement in the design, materials and processes.

<p>BAJAJ LUMINAIRE Making the difference</p>	DRAWN	VDS	17-10-2003	FOR -
	CHECKED	ks		REV-0 DATE-17-11-2008
	APPROVED	CRR		DRG.No
	DATA SHEET RELEASED ON DT-			CG 400 MV/SV/MH DD-001
BAJAJ ELECTRICALS LIMITED 15/17, SANT SAVTA MARG, REAY ROAD, MUMBAI-400 010.				* E-mail : luminaires@bajajelectricals.com