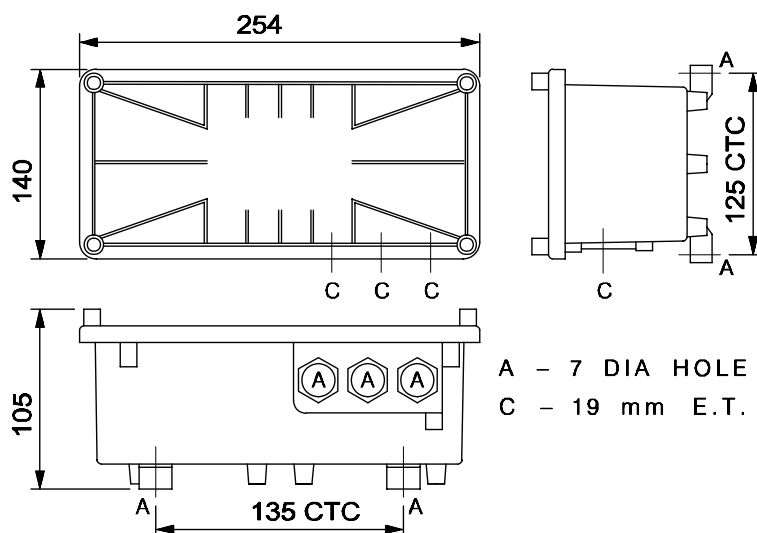




# ACCESSORIES-CAST ALUMINIUM CG BOX

BJCG 80/125/250 MV CA2

BJCG 70/150 SV/MH CA2



A - 7 DIA HOLE FOR MTG. (4 Nos.)  
 C - 19 mm E.T. CABLE ENTRY (2 Nos.)

Dimensions in mm Tolerance +/-5 (Expect mtg. Hole)

## Application

For all non-integral HID luminaires:

- Industrial lighting
- Area lighting
- Façade lighting, etc.

## Specifications

- Epoxy grey powder coated, die-cast aluminium box and hinged cover with EPDM rubber gasket
- Fitted with copper ballasts, capacitor, super imposed ignitor for MH lamp suitable for 80/125/250 HPMV / 70/150 HPSV/MH lamp
- Rewireable fuse cut-out and earthing terminal
- Prewired with PVC insulated copper wires upto the terminal block
- 3 Nos. cable entry provided for loop-in loop-out arrangement
- Degree of protection : IP 55

**NOTE:** The distance between non integral luminaire and C.G.Box should be less than 5 meters.

## Electrical Data

Cat. Ref.	Lamp Type & Wattage (W)	Nominal Voltage (V)	Mains Current in Amps. At 240 V	Capacitor Mfd.	Power Factor
BJCG 80 MV CA2	HPMV 80	200/220/240	0.43	8	≥ 0.85
BJCG 125 MV CA2	HPMV 125	200/220/240	0.69	10	≥ 0.85
BJCG 250 MV CA2	HPMV 250	200/220/240	1.30	15	≥ 0.85
BJCG 70 SV/MH CA2	HPSV/MH 70	220/240	0.40	10	≥ 0.85
BJCG 150 SV/MH CA2	HPSV/MH 150	220/240	0.80	20	≥ 0.85

Data subject to variation due to change/improvement in the design, materials and processes.

<p><b>BAJAJ LUMINAIRES</b> Making the difference</p>	DRAWN	VDS	25.10-2004	FOR -
	CHECKED	KS		REV - 0 DATE-01-02-2008
	APPROVED	CRR		DRG. No
	DATA SHEET RELEASED ON DT-OCT.-2004			CG70/150/250CA2-001
<b>BAJAJ ELECTRICALS LIMITED</b> 15/17, SANT SAVTA MARG, REAY ROAD, MUMBAI-400 010.				* E-mail : <a href="mailto:luminaires@bajajelectricals.com">luminaires@bajajelectricals.com</a>