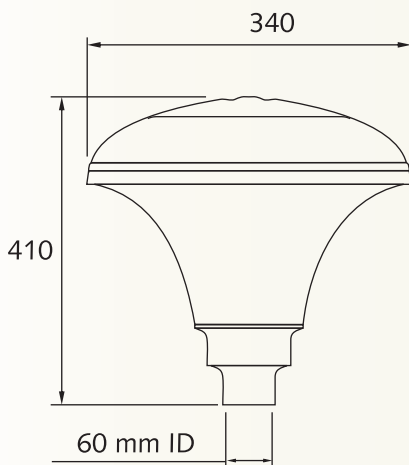


# Urban Architecture Lighting



## GREEN - Decorative Roadway Lighting Luminaire

BJCPTI 211/218 O



BJCPTI 211/218 O

### Renaissance - Post Top Lantern

#### Applications

Resorts & Townships, Pathways, City Centres, Gardens and Precincts.

#### Specification

Integral post top lantern comprises of black outside and white inside painted spun aluminium canopy, funnel shape opal acrylic cover and a cast aluminium spigot housing.

Canopy and Spigot are painted black.

Twin G 23 for 11W/G 24d-2 for 18W CFL lamp holder, open construction ballast are wired up to the terminal block.

Ingress protection : IP 43

- Due to continuous efforts in developing products, improvement- Bajaj Electricals Limited reserves the right to make changes in the design and data and withdraw the luminaires without any prior notice.
- All product and installations are indicative.
- Technical information mention in this booklet is pre-released only.

Data subject to change due to improvement in the design, materials and processes. Variations in dimensions + 3mm

 **BAJAJ LUMINAIRE**  
*Making the difference*

#### LUMINAIRE BUSINESS UNIT

15/17, Sant Savta Marg, Reay Road, Mumbai - 400 010.

Tel. : 23765000 Fax : 022-23730504

E-mail: luminaires@bajajelectricals.com

Website: www.bajajelectricals.com