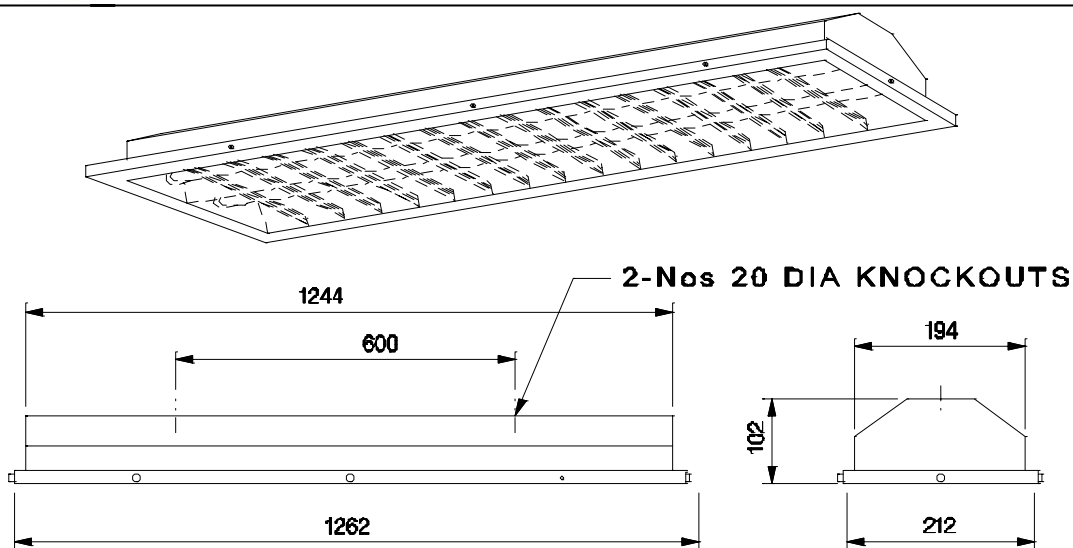




DECORATIVE LIGHTING

BJCR 236/240

BJCR 236/240 WEB2



NOMINAL DIMENSIONS IN mm Tolerance +/-5

Application

Ceiling/Pendent mounting totally enclosed mirror optics luminaire, designed to provide high light out-put with low brightness and wide light distribution, suitable for clean room applications in pharmaceutical industries, subway lighting, railway platform lighting, etc.

Specification

- CRCA sheet steel housing, complete with control gear wired with ballast and new generation accessories upto terminal block.
- Excellent optical control is achieved by specially designed mirror system comprising (i) Mirror made of high purity anodised aluminium sheet, giving a very high light output with wide spread light distribution (ii) Aluminium serrated matt anodised transverse fins to control glare.
- Reflector assembly is securely held to the main body with four spring loaded trigger latches.
- Two nylon strings are provided to suspend the reflector assembly to facilitate maintenance and relamping.
- The luminaire is closed in the front by clear acrylic cover held in place with gasket and frame fixed to housing with the decorative screws to make it dust-proof.
- Wired with open construction ballast / HF electronic ballast.
- **Finish** : Housing/Frame white powder coated.

Electrical Data

Cat. Ref.	Lamp Type & Wattage (W)	Nominal Voltage (V)	Mains Current in Amps. at 240 V	Capacitor Mfd.	Power Factor
BJCR 236/240	FTL 2 x 36/40	240	0.43/0.45	4.00	≥ 0.90
BJDR 236/240 WEB2	FTL 2 x 36/40	240	0.311	--	≥ 0.95

Data subject to variation due to change/improvement in the design, materials and processes.

<p><b>BAJAJ LUMINAIRE</b> Making the difference</p>	DRAWN	VDS	08-08-2002	FOR - STD.
	CHECKED	DVRS		REV - 0 DATE-08-01-2002
	APPROVED	CRR		DRG.No
	DATA SHEET RELEASED ON DT-			<b>BJCR 236 - 001</b>
<p><b>BAJAJ ELECTRICALS LIMITED</b> 15/17, SANT SAVTA MARG, REAY ROAD, MUMBAI-400 010.</p>				<p>* E-mail : <a href="mailto:luminaires@bajajelectricals.com">luminaires@bajajelectricals.com</a></p>