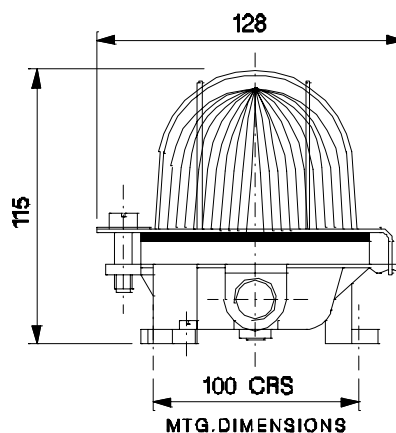
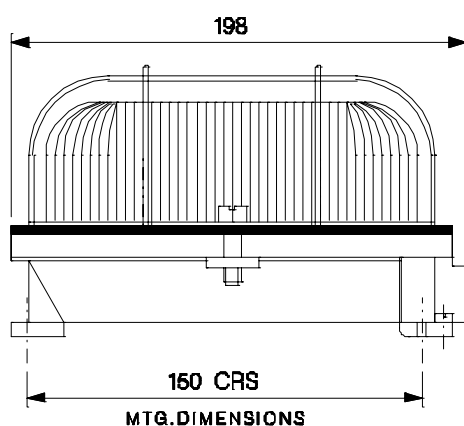




**INDUSTRIAL LIGHTING**  
Weatherproof bulkhead luminaire

BJDB 100



NOMINAL DIMENSIONS IN mm Tolerance +/-5

**Application**

Suitable for porches, basements, stair cases, balconies etc.

**Specification**

- The luminaire comprises die-cast aluminium alloy body, prismatic heat resistance glass cover held with a weatherproof gasket.
- Strong zinc plated M.S. wire guard, ES/BC lamp holder.
- The luminaire is painted in white powder coated inside and outside.
- Suitable for GLS lamp upto 100W.
- 19mm cable entry is provided.

**Electrical Data**

Cat. Ref.	Lamp Type & Wattage (W)	Nominal Voltage (V)	Mains Current in Amps. at 240 V
BJDB 100	GLS 100	240	0.42
BJDB 100	GLS 60	240	0.26
BJDB 100	GLS 40	240	0.20

Data subject to variation due to change/improvement in the design, materials and processes.

<p><b>BAJAJ LUMINAIRE</b> Making the difference</p>	DRAWN	VDS	18-10-2004	FOR – STD.
	CHECKED	DVRS		REV - 0 DATE-18-10-2004
	APPROVED	CRR		DRG.No
	DATA SHEET RELEASED ON DT-			<b>DB 100 - 001</b>
<b>BAJAJ ELECTRICALS LIMITED</b> 15/17, SANT SAVTA MARG, REAY ROAD, MUMBAI-400 010.				* E-mail : <a href="mailto:luminaires@bajajelectricals.com">luminaires@bajajelectricals.com</a>