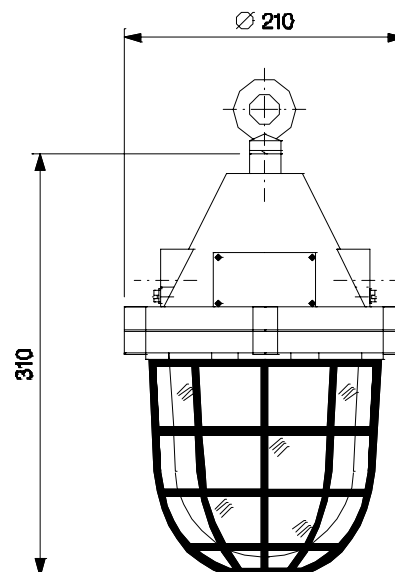




HAZARDOUS AREA LIGHTING INCREASED SAFETY WELLGLASS NON-INTEGRAL

BJDP/DT/TE/ISW 200



Nominal dimensions in mm - Tolerance +/-5

Specifications

DESCRIPTION : Increased safety weatherproof non integral well glass suitable for 80/125W HPMV Lamp, 150/200W GLS Lamp, 160W MLL Lamp & 23W CFL Lamp. At 240 Volts (Max.)

MATERIAL: Cast Aluminium LM 6.

GLASS: Heat resistant wellglass.

CABLE ENTRY: 2 way 3/4" B.S.Conduit.

HOLDER: E 27 ES Enclosed break Lamp Holder

SUSPENSION: Eye bolt.

HINGING: M.S. Chain is provided.

GASKET: Neoprene.

IP RATING: IP 65

FINISH: Light grey (631 Shade IS5) paint.

STANDARD: IS: 6381-1972 / IS: 8224-1976

GROUPS: Zone 2

CMRI. CERT. No. : C.M.R.I./T.C./P/H1335 dated. 10th Nov. 1998
C.M.R.I./T.C./P/H1259 dated. 14th Oct. 1999

TEMP. CLASS : 150/200W GLS / 125W MV / 160W MLL-T5; 80W MV / 23W CFL-T6

Data subject to variation due to change/improvement in the design, materials and processes.

<p>BAJAJ LUMINAIRE Making the difference</p>	DRAWN	VDS	16-11-2004	FOR – Std.
	CHECKED	CRR		REV - 0 DATE-16-11-2004
	APPROVED	CRR		DRG.No
	DATA SHEET RELEASED ON DT-			DP/DT/TE ISW 200 NI - 001
BAJAJ ELECTRICALS LIMITED 15/17, SANT SAVTA MARG, REAY ROAD, MUMBAI-400 010.				* E-mail : luminaires@bajajelectricals.com