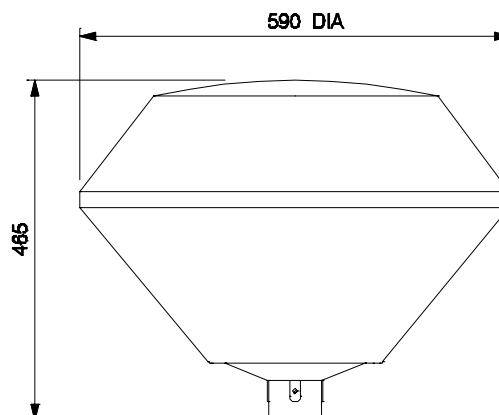




OUTDOOR LIGHTING

BJDPTI 80/125 MV / 70 SV



NOMINAL DIMENSIONS IN mm Tolerance +/-5

Application

- Public areas
- Parks & gardens
- Shopping precincts
- Entrance gates
- Small roundabouts
- Security lighting, etc.

Specification

- UV stabilized roto mould diffuser.
- Black painted die-cast aluminium alloy pole mounting spigot.
- Control gear for 80/125 HPMV / 70 HPSV lamp mounted on detachable gear tray on the spigot.
- BC/ES lamp holder, prewired upto the terminal block.
- Diffuser is fixed against the spigot by pressure plate.
- Bottom entry mounting for 50 mm OD pipe bracket.
- Degree of protection: IP 54
- HPF version available on request.

Electrical Data

Product Code	Cat. Ref.	Lamp Type & Wattage (W)	Nominal Voltage (V)	Mains Current in Amps. At 240 V	Power Factor
524810 + 024900	BJDPTI 80 MV	HPMV 80	200/220/240	0.80	≥ 0.50
524821 + 024900	BJDPTI 125 MV	HPMV 125	200/220/240	1.15	≥ 0.51
524830 + 024900	BJDPTI 70 SV	HPSV 70	220/240	0.98	≥ 0.37

Data subject to variation due to change/improvement in the design, materials and processes.

	DRAWN	VDS	27-04-2004	FOR – STD.
	CHECKED	AAS		REV - 0 DATE-27-04-2004
	APPROVED	CRR		DRG.No
	DATA SHEET RELEASED ON DT-			DPTI 80/125 MV 70 SV - 001
BAJAJ ELECTRICALS LIMITED 15/17, SANT SAVTA MARG, REAY ROAD, MUMBAI-400 010.				* E-mail : luminaires@bajajelectricals.com