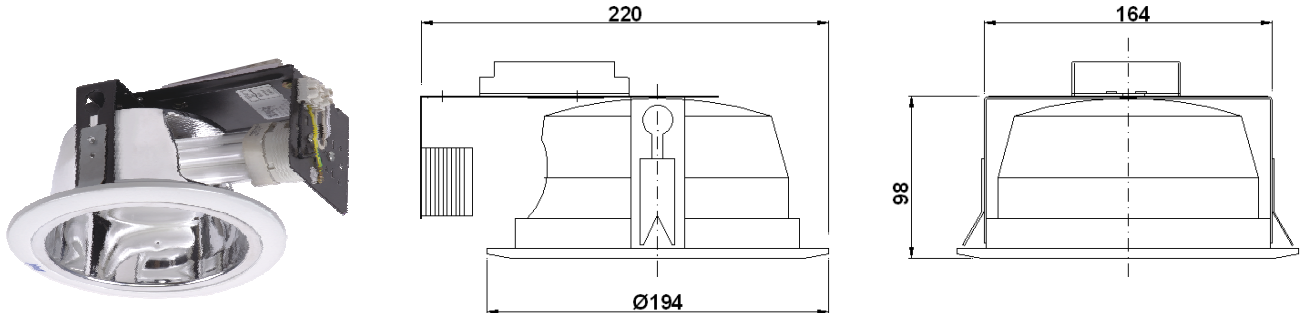




## COMMERCIAL DECORATIVE LIGHTING

BJDR 113/118 H LHD

Recess, decorative, single horizontal lamp mounting CFL downlighters



Nominal dimensions in mm Tolerance +/-5

## Applications

- Commercial complexes
- Conference hall
- Corridors, passages & foyers
- Areas with video monitors / screens
- Hotels & restaurants
- Shops & show windows, etc.

## Specification

- Suitable for single 13/18 W 'D' type CFLs
- Spun anodised aluminium reflector
- Epoxy white powder coated CRCA ring
- Spring loaded adjustable mounting bracket
- Easy to install and maintain
- Accessories for single 13/18W CFLs, prewired upto terminal block.
- Wired with <10% THD HF electronic ballast.

## Electrical Data

Cat. Ref.	Lamp Type & Wattage (W)	Nominal Voltage (V)	Mains Current in Amps. at 240 V	Power Factor
BJDR 113 H LHD	1 x CFL 13	240	0.063	≥ 0.99
BJDR 118 H LHD	1 x CFL 18	240	0.076	≥ 0.99

Data subject to variation due to change/improvement in the design, materials and processes.

 <b>BAJAJ LUMINAIRES</b> <i>Making the difference</i>	DRAWN	KPM	17-10-2007	FOR – STD.
	CHECKED	DVRS		REV - 1      DATE-01-09-2009
	APPROVED	CRR		DRG.No
	DATA SHEET RELEASED ON DT-			<b>DR 113-118 H LHD - 001</b>
<b>BAJAJ ELECTRICALS LIMITED</b> 15/17, SANT SAVTA MARG, REAY ROAD, MUMBAI-400 010.				* E-mail : <a href="mailto:luminaires@bajaelectricals.com">luminaires@bajaelectricals.com</a>