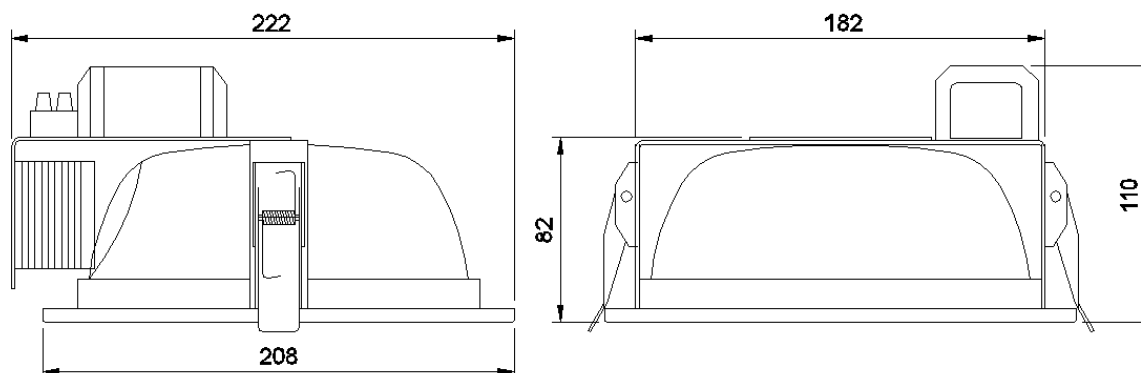




COMMERCIAL DECORATIVE LIGHTING

BJDR 226 CFL

Recess, decorative, twin horizontal lamp mounting CFL downlighters



Nominal dimensions in mm Tolerance +/-5

Applications

- Commercial complexes
- Conference hall
- Corridors, passages & foyers
- Areas with video monitors / screens
- Hotels & restaurants
- Shops & show windows, etc.

Specification

- Suitable for twin 26 W 'D' type CFLs
- Spun anodised specular aluminium reflector
- Specular paralite louvers provided for good glare control
- Epoxy white powder coated CRCA ring
- Spring loaded adjustable mounting bracket
- Easy to install and maintain
- Accessories for twin 26W CFLs, prewired upto terminal block.

Electrical Data

Cat. Ref.	Lamp Type & Wattage (W)	Nominal Voltage (V)	Mains Current in Amps. at 240 V
BJDR 226 CFL	2 x CFL 26	240	0.68

Data subject to variation due to change/improvement in the design, materials and processes.

 BAJAJ LUMINAIRES <i>Making the difference</i>	DRAWN	VDS	07-12-2006	FOR – STD.
	CHECKED	DVRS		REV - 1 DATE-23-01-2008
	APPROVED	CRR		DRG.No
	DATA SHEET RELEASED ON DT-			DR 226 CFL - 001
BAJAJ ELECTRICALS LIMITED 15/17, SANT SAVTA MARG, REAY ROAD, MUMBAI-400 010.				* E-mail : luminaires@bajajelectricals.com