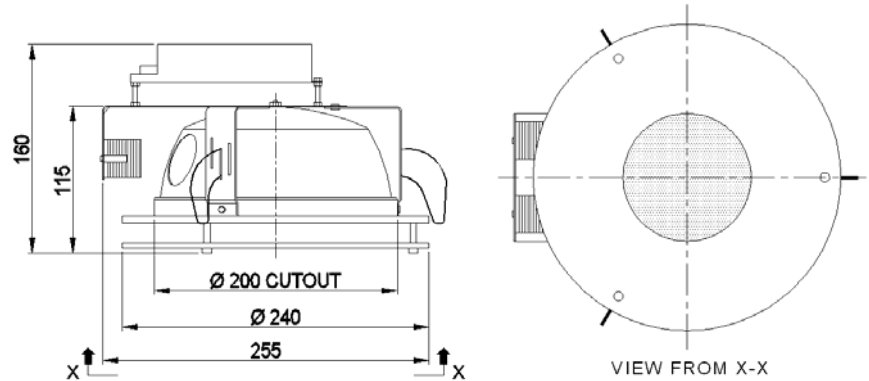




DECORATIVE LIGHTING DOWN LIGHTER

BAJAJ BJDR 226 FLG LHD

Recess, decorative, twin horizontal lamp mounting CFL downlighter



NOMINAL DIMENSIONS IN mm Tolerance +/-5

Applications

- Commercial complexes
- Conference halls
- Control rooms
- Hotels and restaurants
- Shops and show windows, etc

Specification

- Suitable for twin 26W 'D' type CFLs.
- Spun anodised aluminium reflector.
- Diffuser is centre frosted glass, fixed with decorative studs in powder coated spun aluminium ring.
- Spring loaded latches attached to mounting brackets.
- Accessories for twin 26W 'D' type CFLs, prewired upto the terminal block.
- Wired with <10% THD HF electronic ballast.

Electrical Data

Cat. Ref.	Lamp Type & Wattage (W)	Nominal Voltage (V)	Mains Current In Amps. At 240V	Power Factor
BJDR 226 FLG LHD	CFL 2 x 26W	240	0.226	≥ 0.99

Data subject to variation due to change/improvement in the design, materials and processes.

<p>BAJAJ LUMINAIRES Making the difference</p>	DRAWN	KPM	21-04-2008	FOR – STD.
	CHECKED	DVRS		REV - 0 DATE-21-04-2008
	APPROVED	CRR		DRG.No
	DATA SHEET RELEASED ON DT-			DR 226 FLG LHD- 001
BAJAJ ELECTRICALS LIMITED 15/17, SANT SAVTA MARG, REAY ROAD, MUMBAI-400 010.				* E-mail : luminaires@bajajelectricals.com