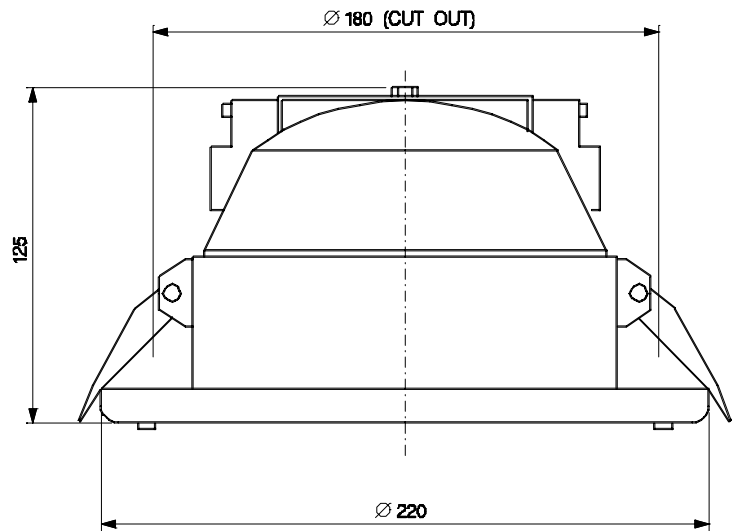




DECORATIVE LIGHTING
DOWN LIGHTER
BJDR 70/150 MH DE NI



NOMINAL DIMENSIONS IN mm Tolerance +/-5

Application

The luminaire using 70/150W MH Double ended lamp is designed for the interior illumination of reception halls, offices, shops, showrooms, auditoria and other similar areas.

Specification

- The luminaire comprises of a spun aluminium anodised reflector on which lamp holders are fixed with brackets.
- Holders are fixed with brackets. It is covered with heat resistant toughened glass fixed with clips.
- Two spring loaded brackets are provided in the housing enables easy mounting on false ceiling.
- The lamp terminals are terminated on to the lamp terminal block.
- A separate control gear capsule (Developed for indoor use only) for 70/150W MH Double ended lamp is required.
- Finish: White powder coated CRCA ring.

Data subject to variation due to change/improvement in the design, materials and processes.

<p>BAJAJ LUMINAIRES Making the difference</p>	DRAWN	VDS	24-03-2003	FOR – STD.
	CHECKED	AAS	24-03-2003	REV - 0 DATE-24-03-2003
	APPROVED	CRR	24-03-2003	DRG.No
	DATA SHEET RELEASED ON DT-			DR 150 MH DE NI - 001
BAJAJ ELECTRICALS LIMITED 15/17, SANT SAVTA MARG, REAY ROAD, MUMBAI-400 010.				* E-mail : luminaires@bajajelectricals.com