

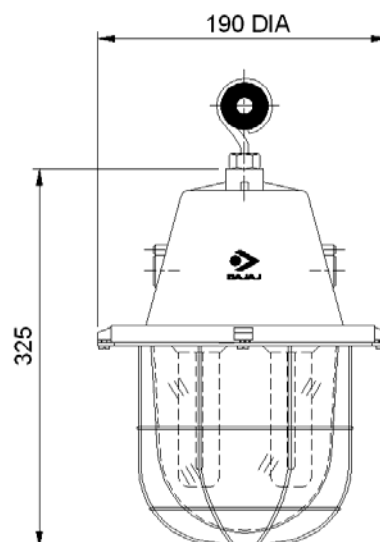


INDUSTRIAL LIGHTING

BJDWIS 118 / 126 CFL WEB1

BJDWIS 218 / 226 CFL WEB2

Integral wellglass luminaire for CFL lamp



NOMINAL DIMENSIONS IN mm Tolerance +/-5

Application

- Thermal power stations
- Fertilizer plants
- Palletizing plants
- Cement factories
- Paper mills, Industrial bays, etc.

Specification

- Pressure die cast aluminium lamp housing, epoxy grey Powder coated finish.
- Heat resistant wellglass with specially designed gasket.
- Built in control gear.
- Built in MS reflector.
- Wired with Regular (< 30% THD PFC) metal housing high frequency electronic ballast.
- CFL lamp holder, prewired upto the terminal block.
- Eye bolt with antivibration rubber pad is provided for suspension mounting.
- 2 nos. cable entries of size 19 mm ET are provided.
- Degree of protection : IP 65

Electrical Data

Code	Cat. Ref.	Lamp Type & Wattage (W)	Nominal Voltage (V)	Mains Current In Amps. At 240V	Power factor
531104	BJDWIS 118 CFL WEB1	CFL 1X18	240	0.078	≥ 0.95
531102	BJDWIS 126 CFL WEB1	CFL 1x26	240	0.116	≥ 0.95
531103	BJDWIS 218 CFL WEB2	CFL 2X18	240	0.157	≥ 0.95
531101	BJDWIS 226 CFL WEB2	CFL 2X26	240	0.232	≥ 0.95

Note : Lamp should be D/E 4 pin CFLs.

Data subject to variation due to change/improvement in the design, materials and processes.

<p>BAJAJ LUMINAIRES Making the difference</p>	DRAWN	KPM	07-05-2008	FOR - Std.
	CHECKED	DVRS		REV - 0 DATE-18-02-2009
	APPROVED	CRR		DRG.No
	DATA SHEET RELEASED ON DT-			DWIS 118 WEB1 - 001
BAJAJ ELECTRICALS LIMITED 15/17, SANT SAVTA MARG, REAY ROAD, MUMBAI-400 010.				* E-mail : luminaires@bajajelectricals.com