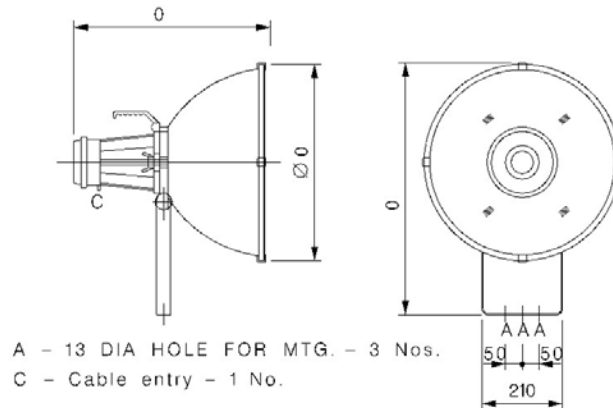




## AREA LIGHTING

BAJAJ BJEF 15 S

Symmetrical beam Non-integral floodlight luminaire upto 400W HID lamps



Nominal dimensions in mm Tolerance +/-5 (Except mtg. Hole)

## Applications

- Open areas
- Marshalling & Storage yards
- Buildings & monuments
- Airport aprons
- Car parks
- Security lighting, etc.

## Specification

- Die-cast aluminium lamp housing with fins in grey hammertone stove enamelled finish
- Electrochemically brightened, polished and anodised aluminium reflector
- Heat resistant, clear, toughened glass cover
- EPDM/Synthetic rubber gasket
- GES lamp holder prewired upto the terminal block
- MS hot dip galvanised mounting bracket with protractor scale for precision aiming
- 19 mm dia ET cable entry
- Degree of protection : IP 55

Note : Control gear box for appropriate wattage of HID lamp to be used

Data subject to variation due to change/improvement in the design, materials and processes.

<p><b>BAJAJ LUMINAIRE</b> Making the difference</p>	DRAWN	VDS	19-03-2009	FOR -Std.
	CHECKED	KS		REV - 0 DATE-19-03-2009
	APPROVED	CRR		DRG. No
	DATA SHEET RELEASED ON DT-			<b>EF 15 S - 001</b>
BAJAJ ELECTRICALS LIMITED 15/17, SANT SAVTA MARG, REAY ROAD, MUMBAI-400 010.				* E-mail : <a href="mailto:luminaires@bajajelectricals.com">luminaires@bajajelectricals.com</a>