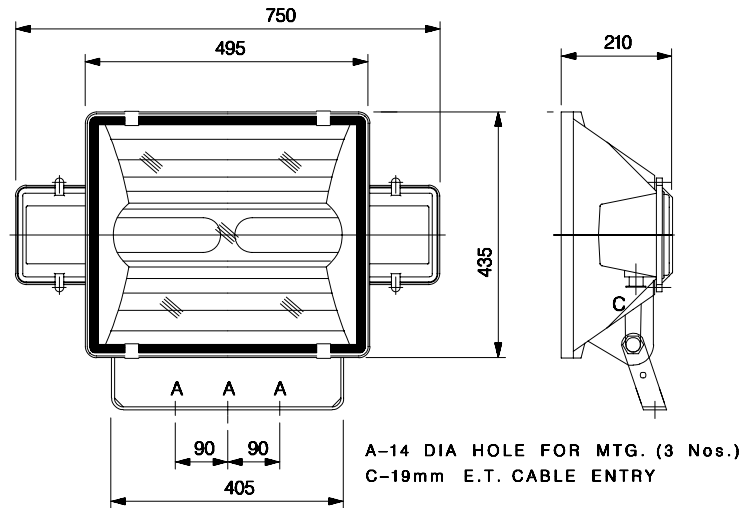




AREA LIGHTING

BJEF 22 CA RO

Asymmetrical beam, non-integral floodlight luminaire upto twin 400W HID lamps



Nominal dimensions in mm Tolerance +/-5 (Except mtg. Hole)

Applications

- Industrial areas
- Sports areas
- Building & monuments
- Airport aprons
- Container berths, Docks and ports
- Flyovers & bridges
- Railway marshalling yards, etc.

Specification

- Epoxy black powder coated, die-cast aluminium housing with heat dissipating fins
- Electrochemically brightened, polished and anodized aluminium faceted reflector
- Heat resistant, toughened clear glass fixed to the housing with SS toggles and silicon rubber gasket
- GES (E40) lamp holders for twin elliptical / tubular HID lamps, prewired upto the terminal block
- MS hot dip galvanised and epoxy black powder coated mounting bracket, graduated aiming disc and locking facility at any angle in the vertical plane
- Degree of protection : IP 55

Note : Control gear box for appropriate wattage of HID lamp to be used

Data subject to variation due to change/improvement in the design, materials and processes.

<p>BAJAJ LUMINAIRES Making the difference</p>	DRAWN	VDS	18.06-2003	FOR – std.
	CHECKED	KS		REV - 0 DATE-07-03-2008
	APPROVED	CRR		DRG. No
	DATA SHEET RELEASED ON DT-			EF 22 CA RO - 001
<p>BAJAJ ELECTRICALS LIMITED 15/17, SANT SAVTA MARG, REAY ROAD, MUMBAI-400 010.</p>				<p>* E-mail : luminaires@bajajelectricals.com</p>