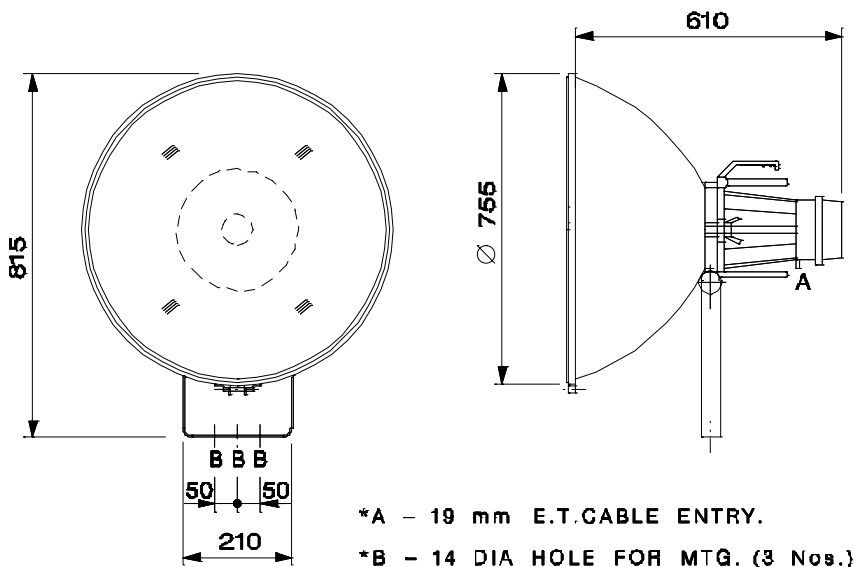




AREA LIGHTING

BJEF 28 S

Symmetrical beam floodlight luminaire upto 1000 W HID lamps



NOMINAL DIMENSIONS IN mm Tolerance +/-5 (Except mtg. Holes)

Applications

- Open areas
- Marshalling & Storage yards
- Buildings & monuments
- Airport aprons
- Car parks
- Security lighting, etc.

Specification

- Die-cast aluminium lamp housing with fins in grey hammertone stove enamelled finish
- Electrochemically brightened, polished and anodised aluminium reflector
- Heat resistant, clear, toughened glass cover
- EPDM/Synthetic rubber gasket
- GES lamp holder prewired upto the terminal block
- MS hot dip galvanised mounting bracket with protractor scale for precision aiming
- Luminaire type : Non-integral

Note : Control gear box for appropriate wattage of HID lamp to be used

Data subject to variation due to change/improvement in the design, materials and processes.

	DRAWN	VDS	10-01-2008	FOR -
	CHECKED	KS		REV - 0 DATE-10-01-2008
	APPROVED	CRR		DRG. No
	DATA SHEET RELEASED ON DT-			EF 28 S - 001
BAJAJ ELECTRICALS LIMITED 15/17, SANT SAVTA MARG, REAY ROAD, MUMBAI-400 010.				* E-mail : luminaires@bajajelectricals.com