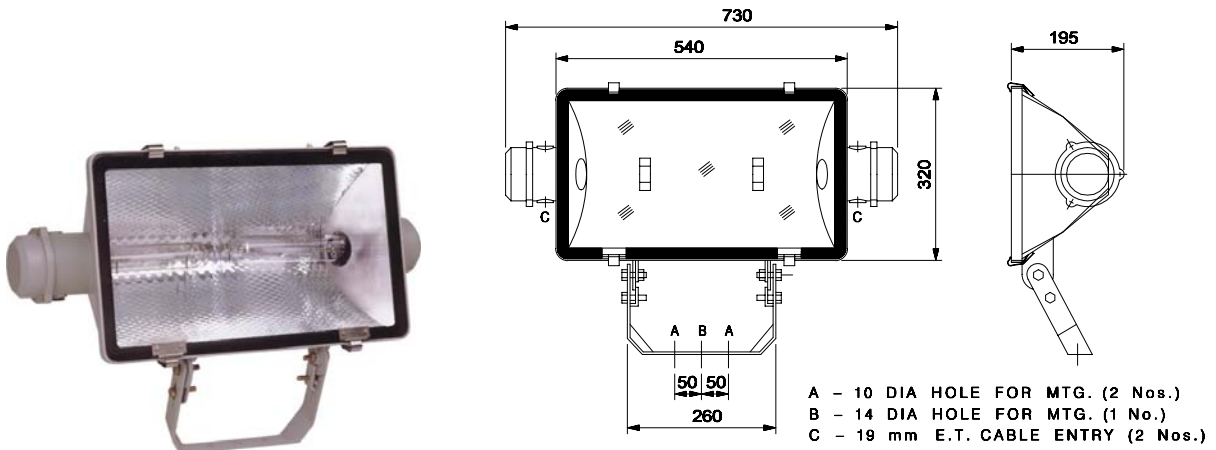




AREA LIGHTING

BAJAJ BJENF 24

Asymmetrical beam, floodlight luminaire upto twin 400W HID tubular lamps



NOMINAL DIMENSIONS IN mm Tolerance +/-5 (Except mtg. Holes)

Application

- Industrial areas
- Storage yards
- Container berths
- Docks and ports
- Airport aprons
- Flyovers & bridges
- Railway marshalling yards

Features

- Heavy duty and weatherproof
- Effective asymmetrical beam control
- Relamping from the sides
- Easy to install and maintain
- Stainless steel toggles
- Degree of protection : IP 65
- Electrical safety – Class I

Specification

- Epoxy grey powder coated, die-cast aluminium housing with heat dissipating fins
- Electrochemically brightened, polished and anodised aluminium reflector
- Heat resistant, clear toughened glass rubber gasket
- GES lamp holders for twin tubular HID lamps, prewired upto the terminal block
- Epoxy grey powder coated MS hot dip galvanised mounting bracket
- Graduated aiming disc and locking facility at any angle in the vertical plane

Note : Control gear box for appropriate wattage of HID lamp to be used

Data subject to variation due to change/improvement in the design, materials and processes.

<p>BAJAJ LUMINAIRES Making the difference</p>	DRAWN	VDS	10-01-2008	FOR –
	CHECKED	KS		REV - 0 DATE-10-01-2008
	APPROVED	CRR		DRG. No
	DATA SHEET RELEASED ON DT-Dec.-2003			ENF 24 - 001
<p>BAJAJ ELECTRICALS LIMITED 15/17, SANT SAVTA MARG, REAY ROAD, MUMBAI-400 010.</p>				<p>* E-mail : luminaires@bajajelectricals.com</p>