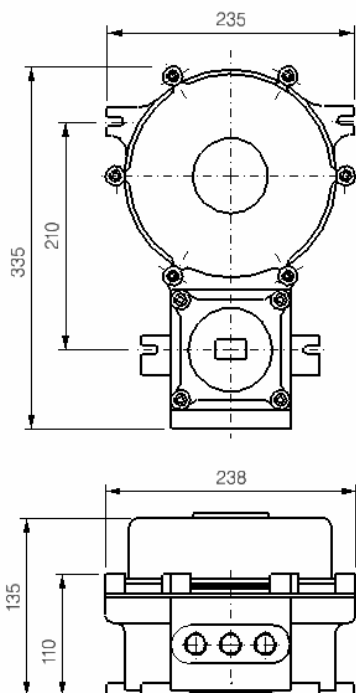




FLAMEPROOF CONTROL GEAR BOX

BJFC 400 MV / BJFC 250/400 SV/MH



Nominal dimensions in mm Tolerance +/-5

Specification

DESCRIPTION: Flame proof control gear suitable for 400 W MV / 250/400 HPSV/MH LAMP

MATERIAL: Cast Aluminium LM 6 / Cast Iron

CABLE ENTRY: 3 Cable entries 3/4 " B.S.Conduit

GASKET: Neoprene.

IP RATING: IP 65

FINISH: Light grey (631 Shade IS 5) paint. / Epoxy optional at extra cost.

STANDARD: IS 2148-1981

GROUPS: I, II A & II B as per IS 2148-1981 / **ZONE** - 2

CMRI . CERT. No.: C.M.R.I./T.C./H 1256 dated.- 14 Oct. 1999

CIMFR/TC/SR/H837 Dtd.23.01.08 / CIMFR/TC/S/697 Dtd.19.11.2008

TEMP. CLASS: 400 MV/SV/MH -(T6)

Data subject to variation due to change/improvement in the design, materials and processes.

<p>BAJAJ LUMINAIRE Making the difference</p>	DRAWN	VDS	14-09-2007	FOR – Std.
	CHECKED	CRR		REV - 0 DATE-14-09-2007
	APPROVED	CRR		DRG.No
	DATA SHEET RELEASED ON DT-			BJFC 400 MV - 001
BAJAJ ELECTRICALS LIMITED 15/17, SANT SAVTA MARG, REAY ROAD, MUMBAI-400 010.				* E-mail : luminares@bajajelectricals.com