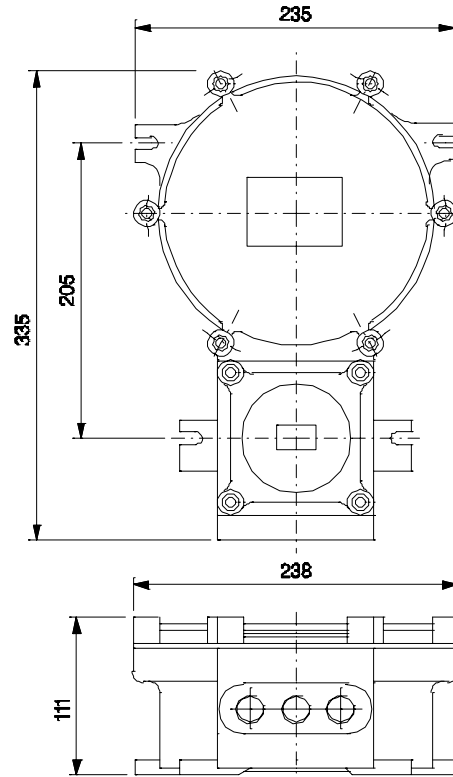




**HAZARDOUS AREA LIGHTING  
FLAMEPROOF CONTROL GEAR BOX  
BJFC 80/125/250**



Nominal dimensions in mm Tolerance +/-5

**Specification**

**DESCRIPTION:** Flameproof control gear suitable for 70/150W HPSV/MH / 80/125/250W HPMV / 3x26W CFL

**MATERIAL:** Cast Aluminium LM 6 / Cast Iron

**CABLE ENTRY:** 3 Cable entries 3/4 " B.S.Conduit

**GASKET:** Neoprene

**IP RATING:** IP 65

**FINISH:** Light grey (631 Shade IS5) paint. / Epoxy optional at extra cost.

**STANDARD:** IS 2148/81 & IS 2147 - 1962

**GROUPS:** I, II A & II B as per IS 2148 / **ZONE** - 2

**CMRI CERT. No. :** C.M.R.I./T.C./H286 dated. - 20<sup>th</sup> March 1998  
CIMFR/TC/SR/H800 dated. - 15<sup>th</sup> January 2008.  
CIMFR/TC/S/696 dated. - 19<sup>th</sup> November 2008.

**TEMP. CLASS :** 250W MV, 70/150W SV/MH, 23W CFL 'T6'

Data subject to variation due to change/improvement in the design, materials and processes.

<p><b>BAJAJ LUMINAIRES</b> Making the difference</p>	DRAWN	VDS	12-08-2004	FOR – Std.
	CHECKED	CRR		REV-0 DATE-12-08-2004
	APPROVED	CRR		DRG.No
	DATA SHEET RELEASED ON DT-			<b>FC 80/125/250 MV - 001</b>
<b>BAJAJ ELECTRICALS LIMITED</b> 15/17, SANT SAVTA MARG, REAY ROAD, MUMBAI-400 010.				* E-mail : <a href="mailto:luminaires@bajajelectricals.com">luminaires@bajajelectricals.com</a>