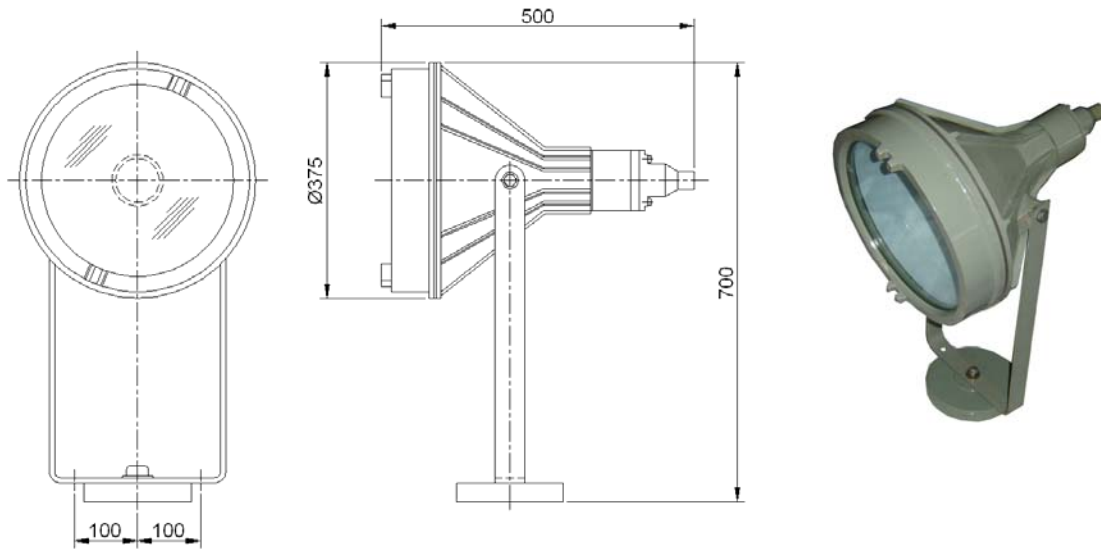




**HAZARDOUS AREA LIGHTING**  
 FLAMEPROOF / WEATHERPROOF FLOOD LIGHT FITTING  
**BAJAJ** BJFFL 250/400 MV NI



Nominal dimensions in mm Tolerance +/-5

**Specification**

**DESCRIPTION:** Flame proof weatherproof flood light fitting suitable for 250/400W HPMV, 400W MH, 250/400W HPSV, 500W GLS at 250 V AC, 50Hz (max.)

**MATERIAL:** Cast Aluminium LM 6.

**GLASS:** Heat resistant and toughened glass.

**CABLE ENTRY:** 1 way 3/4" B.S.Conduit.

**HOLDER:** GES Holder is provided as standard.

**MOUNTING:** Bracket

**GASKET:** Neoprene.

**IP RATING:** IP 65

**FINISH:** Light grey (631 Shade IS5) paint./Epoxy optional at extra cost.

**STANDARD:** IS 2148-2004 (IEC 60079-1/2001)

**GROUPS:** II A & II B as per IS 2148 / **ZONE** - 2

**CMRI. CERT. No.:** C.M.R.I./T.C./P/H387 dt. 21<sup>st</sup> AUG. 2006.

**TEMP. CLASS:** 250W MV `T5`, 400W SV/MH `T4`, 250W SV `T6`, 500W GLS `T3`

Data subject to variation due to change/improvement in the design, materials and processes.

<p><b>BAJAJ LUMINAIRES</b> Making the difference</p>	DRAWN	KPM	18-09-2007	FOR – Std.
	CHECKED	VDS		REV - 0 DATE-18-09-2007
	APPROVED	CRR		DRG.No
	DATA SHEET RELEASED ON DT-			<b>FFL 250/400 MV NI - 001</b>
<b>BAJAJ ELECTRICALS LIMITED</b> 15/17, SANT SAVTA MARG, REAY ROAD, MUMBAI-400 010.				* E-mail : <a href="mailto:luminaires@bajajelectricals.com">luminaires@bajajelectricals.com</a>