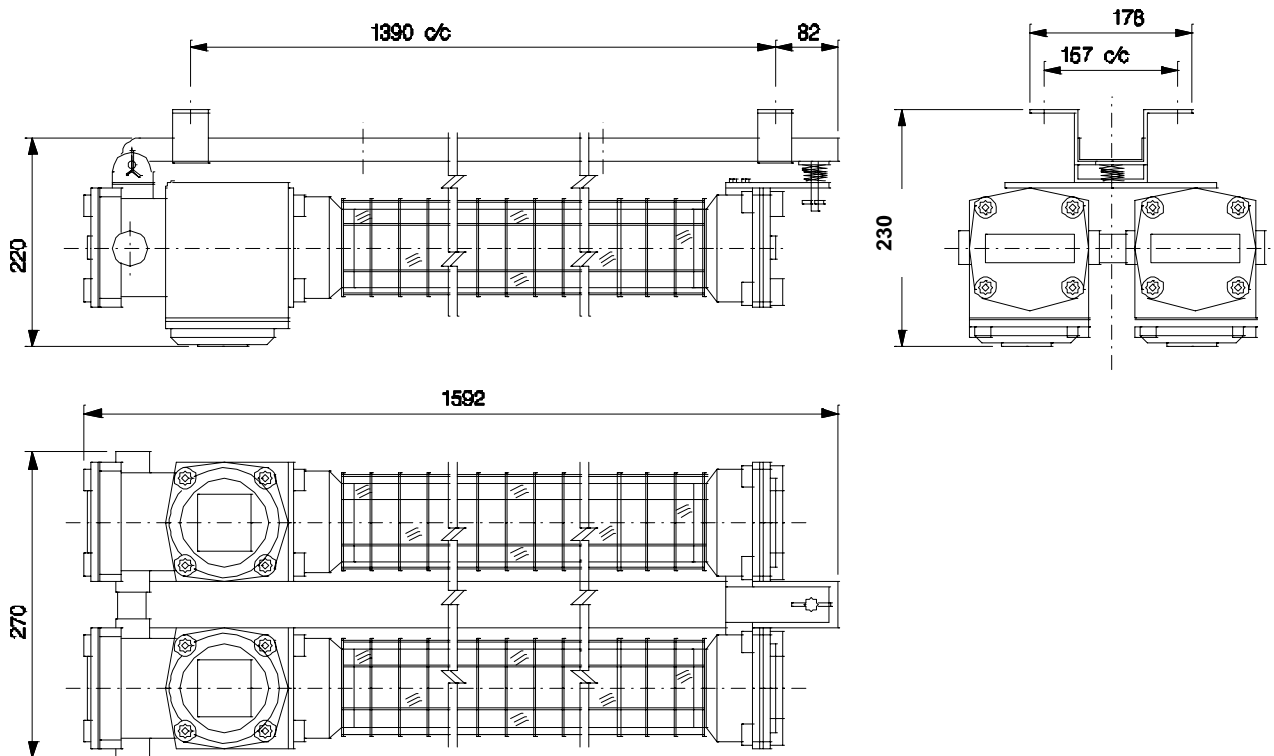




FLAMEPROOF FLUORESCENT TUBE LIGHT FOR HAZARDOUS AREAS

BJFFTL 236/240 / BJFFTL 228



Nominal dimensions in mm Tolerance +/-5

Specification

DESCRIPTION: Flameproof cum weatherproof fluorescent tube light fitting

Suitable for 2X36/40W, 2x28 T5 250 Volts

MATERIAL: Cast Aluminium LM 6

GLASS: Borosil make Heat resistant tubular glass

CABLE ENTRY: 2-way 3/4" B.S.Conduit.

GASKET: Neoprene

IP RATING: IP 65

FINISH: Light grey (631 Shade IS5) paint./ Epoxy optional at extra cost.

STANDARD: IS: 2148 & IS: 2206 Part-II

GROUPS: I, II A & II B / **ZONE** - 2

CMRI CERT. No.: C.M.R.I./T.C./P/H1561 dated. 18 Dec. 1998 &

CIMFR/TC/SR/H798 dated. 11.01.08./ CIMFR/TC/S/H438 dtd.03.09.08

CIMFR/Amend/FLP/Oct./588 dtd.17.10.2008

C.C.E. CERT. No: R1 (1) 136 / A / 418 dated 08 Feb. 2000

TEMP. CLASS: 2x36/40/28 T5 "Z "(T6)

Data subject to variation due to change/improvement in the design, materials and processes.

<p>BAJAJ LUMINAIRES Making the difference</p>	DRAWN	VDS	30-10-2004	FOR – Std.
	CHECKED	CRR		REV - 0 DATE-04-06-2009
	APPROVED	CRR		DRG.No
	DATA SHEET RELEASED ON DT-			FFTL 240 - 001
BAJAJ ELECTRICALS LIMITED 15/17, SANT SAVTA MARG, REAY ROAD, MUMBAI-400 010.				* E-mail : luminaires@bajajelectricals.com