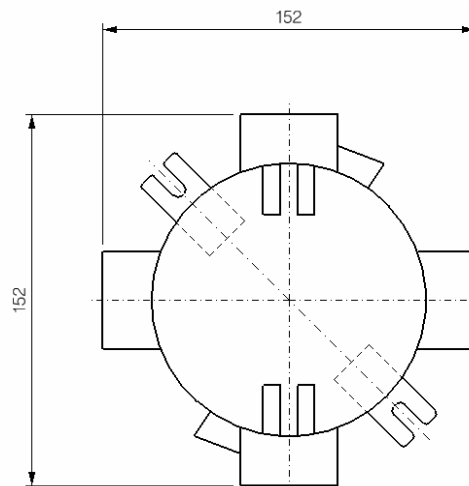
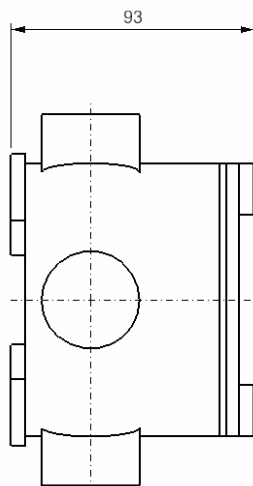




**FLAMEPROOF JUNCTION BOX  
FOR HAZARDOUS AREA**

**BJFJB 100**



Nominal dimensions in mm Tolerance +/-5

**Specification**

**DESCRIPTION:** Flameproof cum weatherproof Junction Box

**MATERIAL:** Cast Aluminium LM 6

**CABLE ENTRY:** 4 Cable entries 3/4 " B.S.Conduit

**GASKET:** Neoprene

**IP RATING:** IP 65

**FINISH:** Light grey (631 Shade IS5) paint

**STANDARD:** IS 2148 – 1981 / IS: 2148-2004 & IS: 13346-2004.

**GROUPS:** I, II A & II B / **ZONE** - 2

**CMRI CERT. No.:** C.M.R.I./T.C./H1309 dated. - 29 Oct. 1999 & CIMFR/TC/SR/H808 dated 16<sup>th</sup> January 2008.

Data subject to variation due to change/improvement in the design, materials and processes.

<p><b>BAJAJ LUMINAIRES</b> Making the difference</p>	DRAWN	KPM	16-03-2000	FOR – Std.
	CHECKED	VDS		REV - 1 DATE-19-11-2008
	APPROVED	CRR		DRG.No
	DATA SHEET RELEASED ON DT-			<b>BJFJB 100 - 001</b>