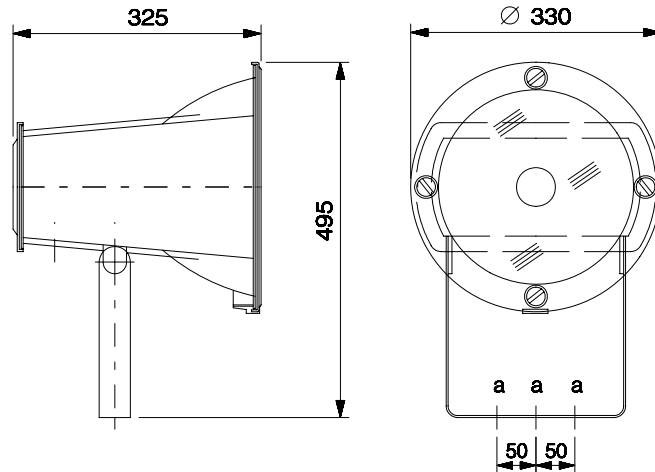




AREA LIGHTING

BJFLM 250 SVMH T

Symmetrical beam, floodlight luminaire for 250W HPSV/MH T HID tubular lamps



a-12.5 DIA HOLE FOR MTG. (3 Nos.)

Nominal dimensions in mm Tolerance +/-5 (Except mtg. Holes)

Application

- Area lighting
- Storage yards
- Container berths
- Docks and ports
- Railway marshalling yards

Specification

- Epoxy powder coated, die-cast aluminium housing with heat dissipating fins
- Electrochemically brightened, polished and anodised aluminium reflector
- Heat resistant, clear toughened glass with rubber gasket
- GES lamp holder for tubular HID lamp
- Epoxy powder coated MS hot dip galvanised mounting bracket
- Graduated aiming disc and locking facility at any angle in the vertical plane
- Luminaire type : Non-integral
- Degree of protection : 65

Note : Control gear box for appropriate wattage of HID lamp to be used

Data subject to variation due to change/improvement in the design, materials and processes.

<p>BAJAJ LUMINAIRES Making the difference</p>	DRAWN	VDS	10-01-2008	FOR – Std.
	CHECKED	KS		REV - 0 DATE-10-01-2008
	APPROVED	CRR		DRG. No
	DATA SHEET RELEASED ON DT-OCT.-2006			FLM 250MH T - 001
BAJAJ ELECTRICALS LIMITED 15/17, SANT SAVTA MARG, REAY ROAD, MUMBAI-400 010.				* E-mail : luminaires@bajajelectricals.com