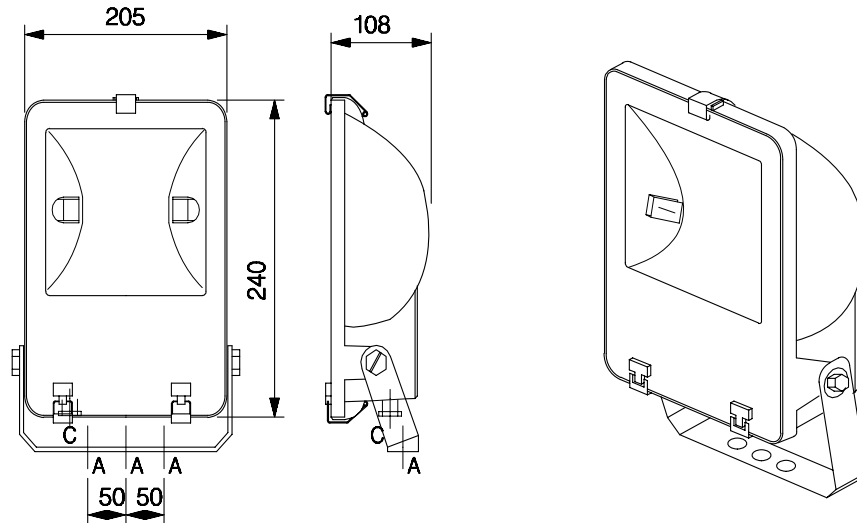




## AREA LIGHTING

BJFL 02 70 MH DE

Asymmetrical beam, integral floodlight luminaire for double ended HID lamp



A = 9.5 mm DIA HOLES FOR MTG.-3 Nos.  
C = CABLE GLAND

Nominal dimensions in mm Tolerance +/-5 (Except mtg. Hole)

## Application

- Airport aprons
- Container berths
- Sports lighting
- Buildings and monuments
- Hoardings and Sign boards, etc.

## Specification

- Black textured matt finish powder coating, die-cast aluminium housing with control gear accessories for 70 MH DE lamp
- Electrochemically brightened, anodised aluminium reflector
- Heat resistant, clear toughened glass cover secured to the housing by self locking toggles and rubber gasket
- Pair of Rx 7s lamp holders, prewired upto the terminal block
- Black textured matt finish powder coated MS mounting bracket with aiming facility
- Degree of protection : IP 65

## Electrical Data

Cat. Ref.	Lamp Type & Wattage (W)	Nominal Voltage (V)	Mains Current in Amps. at 240 V	Capacitor Mfd.	Power Factor
BJFL 02 70 MH DE	MH DE 70	220/240	0.40	10	≥ 0.85

Data subject to variation due to change/improvement in the design, materials and processes.

<p><b>BAJAJ LUMINAIRES</b> Making the difference</p>	DRAWN	VDS	04.01-2005	FOR - Std.
	CHECKED	KS		REV - 0 DATE-10-01-2008
	APPROVED	CRR		DRG. No
	DATA SHEET RELEASED ON DT-JAN.-2005			<b>FL 02 70 MHDE-001</b>
<b>BAJAJ ELECTRICALS LIMITED</b> 15/17, SANT SAVTA MARG, REAY ROAD, MUMBAI-400 010.				* E-mail : <a href="mailto:luminaires@bajajelectricals.com">luminaires@bajajelectricals.com</a>